



Montageanleitung

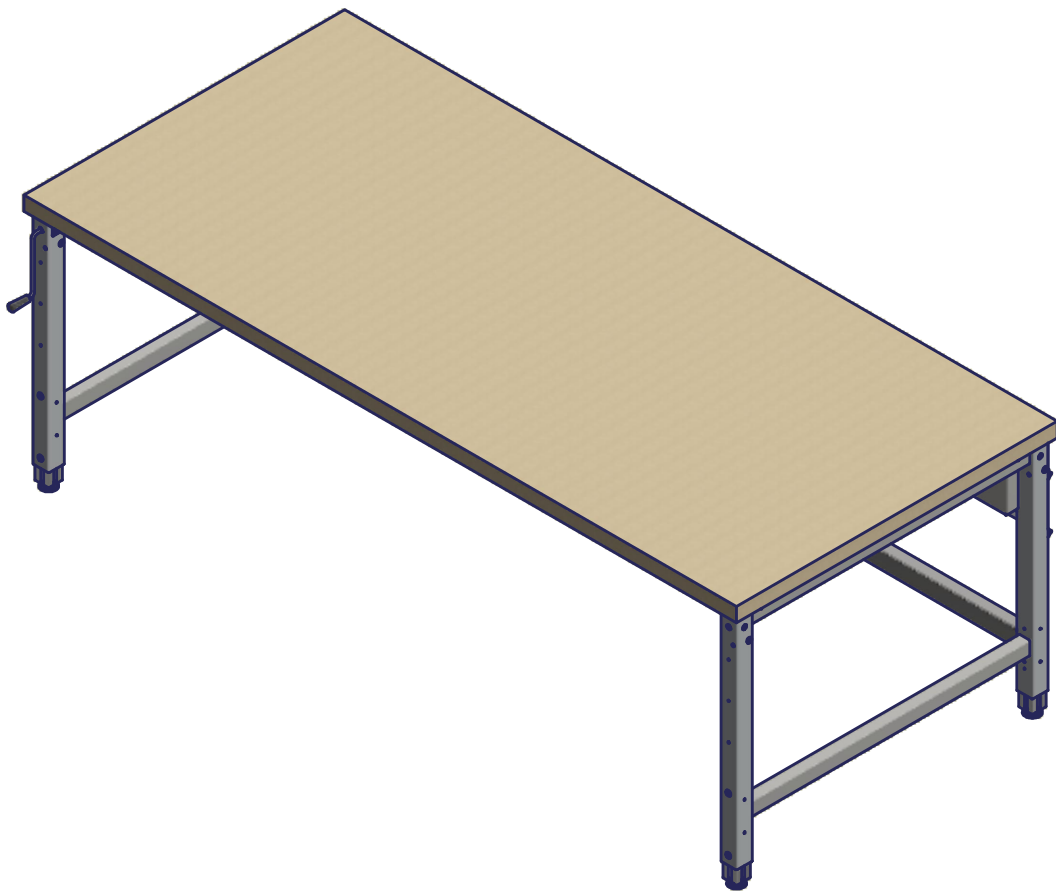
## **Workergo 4-Fuß, Kurbel**

Assembling instructions for

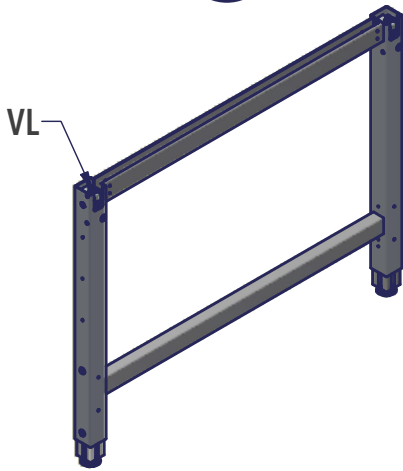
## **Workergo 4-foot, crank**

Instruction de montage

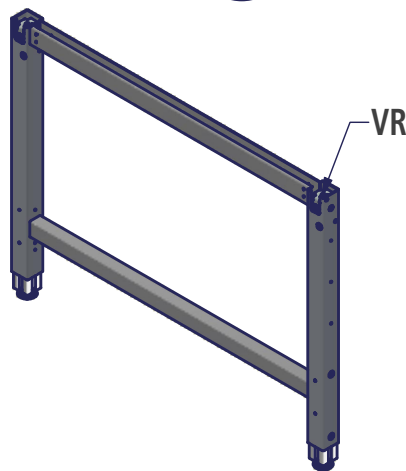
## **Workergo 4 pieds, manivelle**



1x (A1)



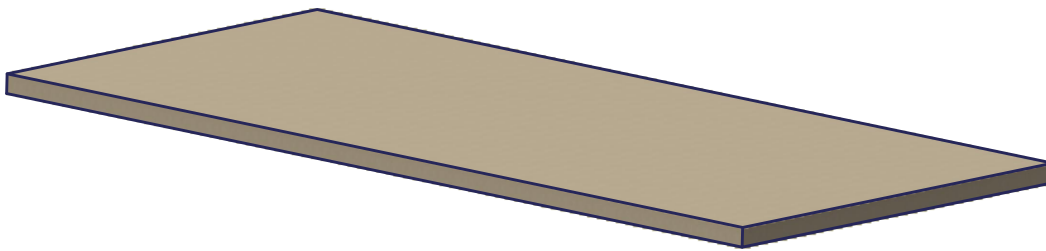
1x (A2)



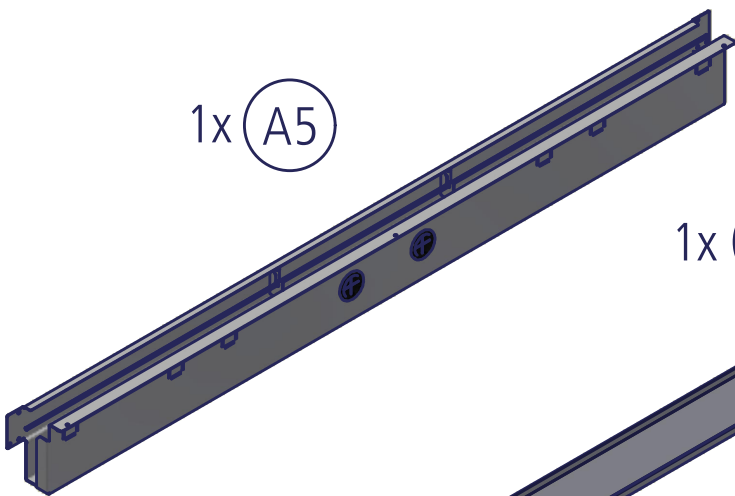
1x (A3)



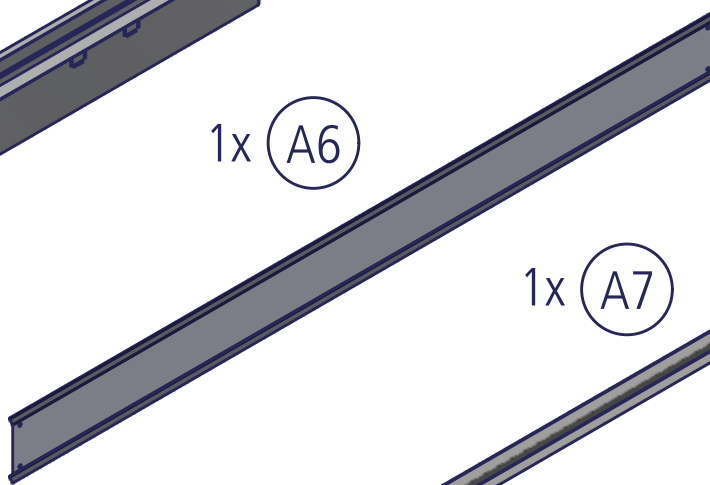
1x (A4)



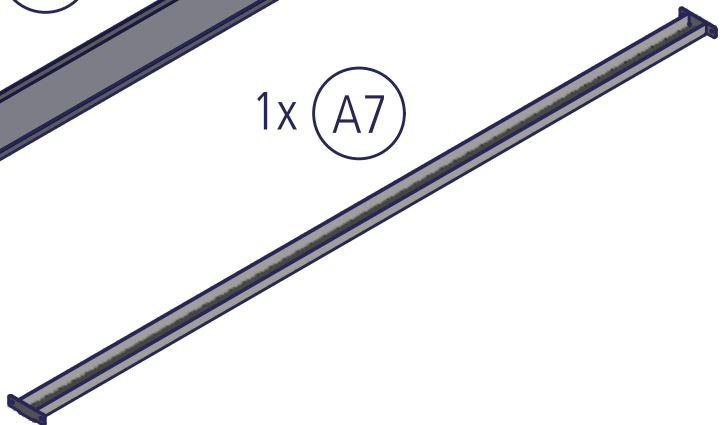
1x (A5)



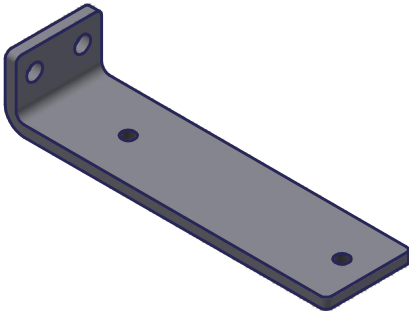
1x (A6)



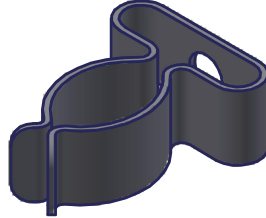
1x (A7)



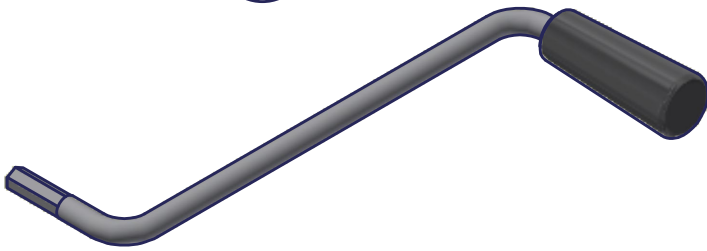
4x (A8)



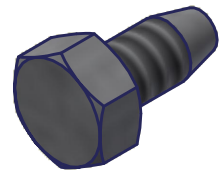
1x (A9)



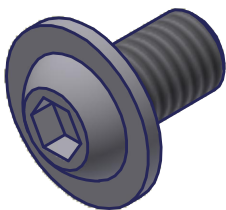
1x (A10)



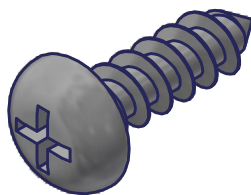
16x (A11)  
4,8 x 9,5



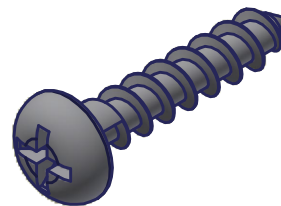
12x (A12)  
M6 x 10



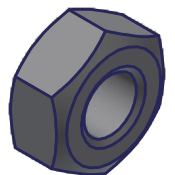
6x (A13)  
5 x 16



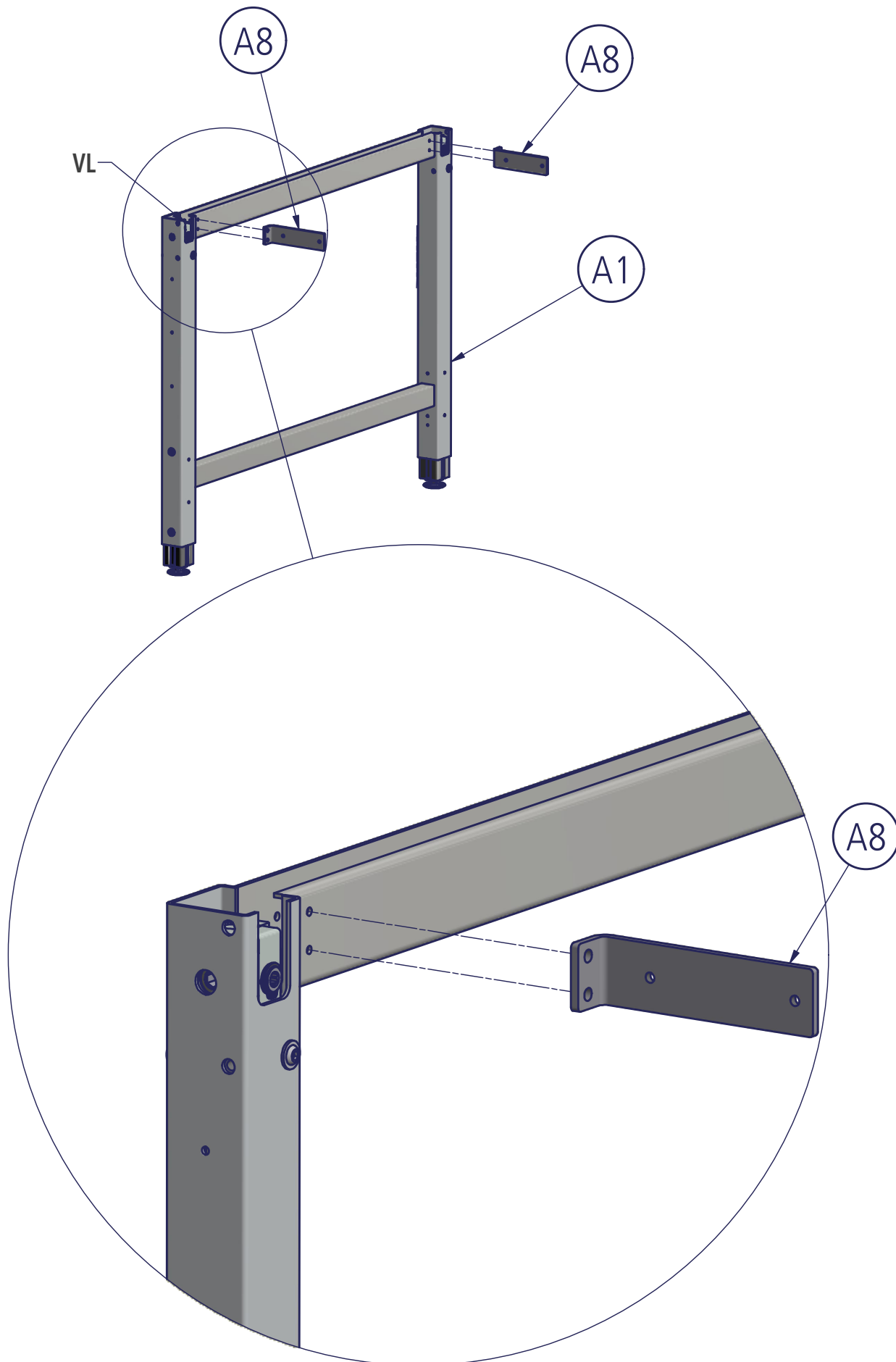
1x (A14)  
3 x 20



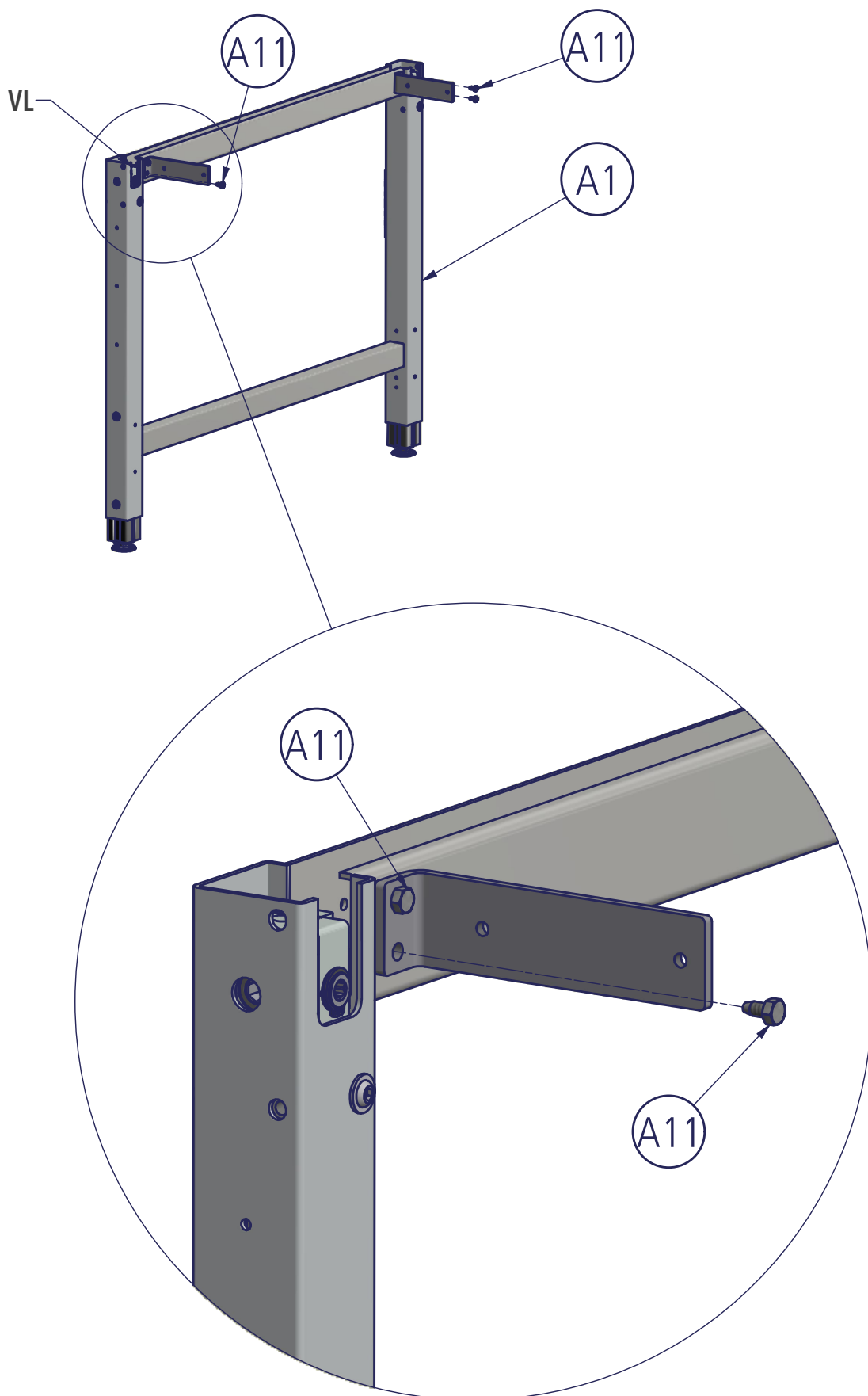
2x (A15)  
M6



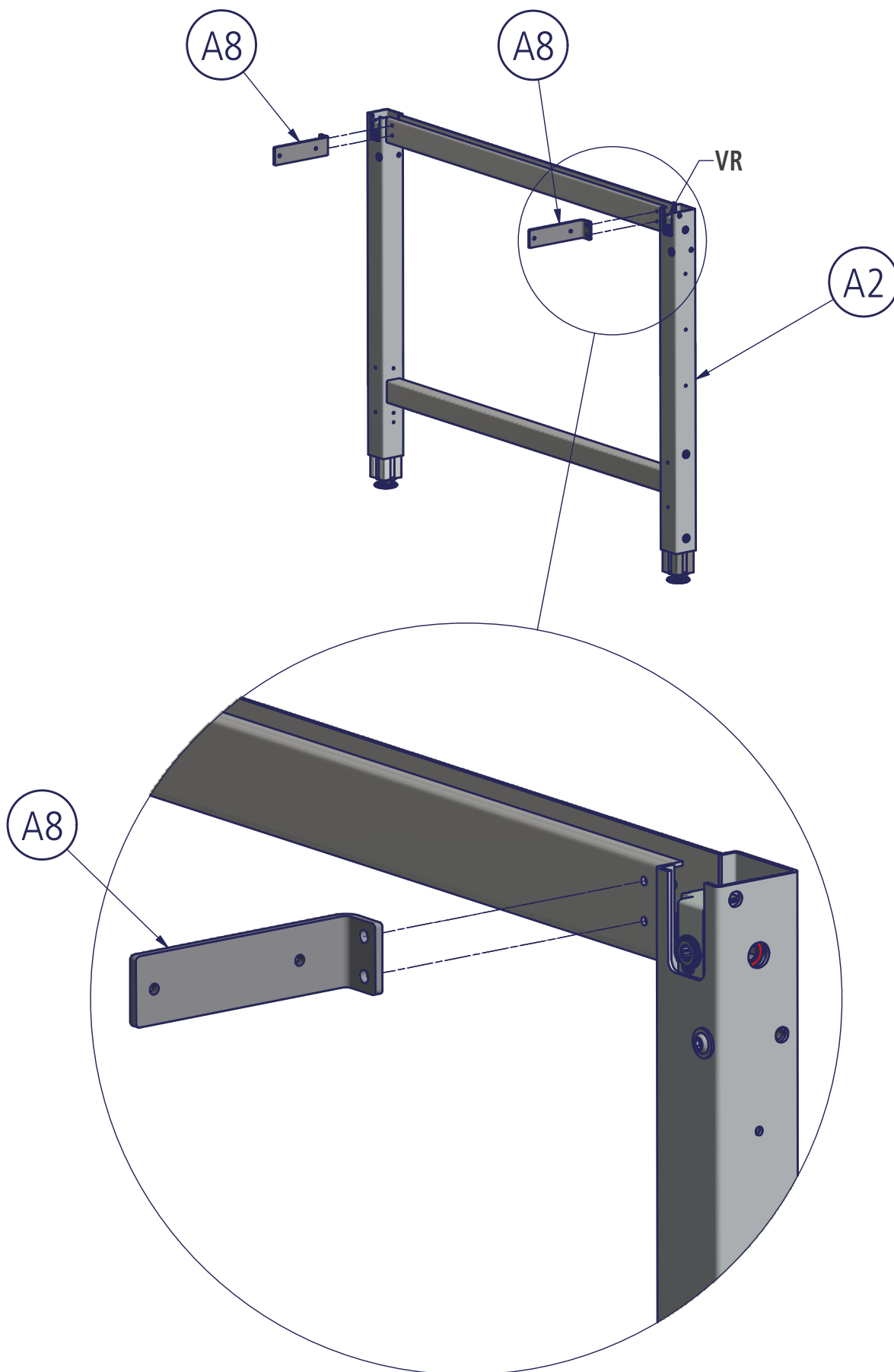
1.



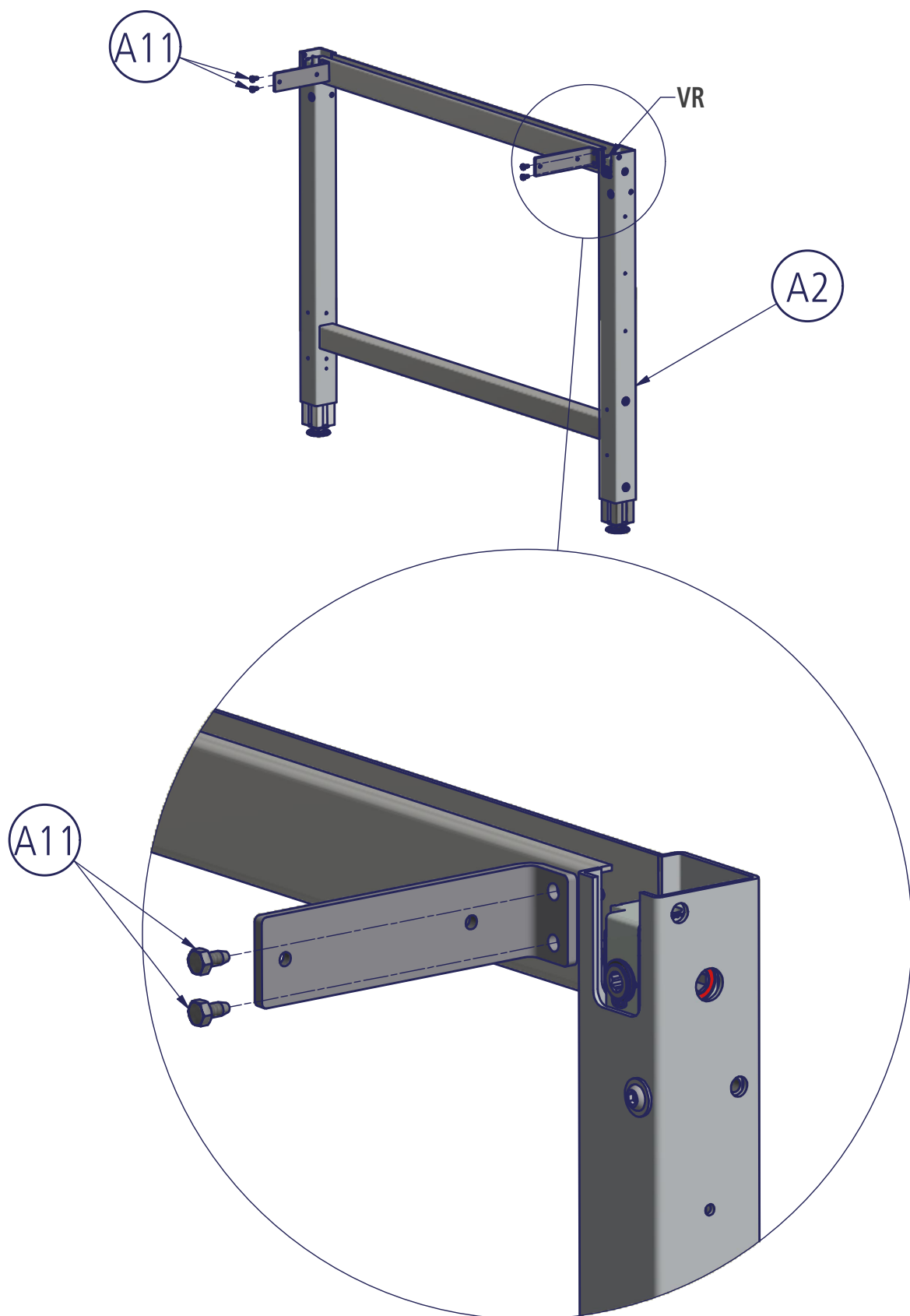
## 2.



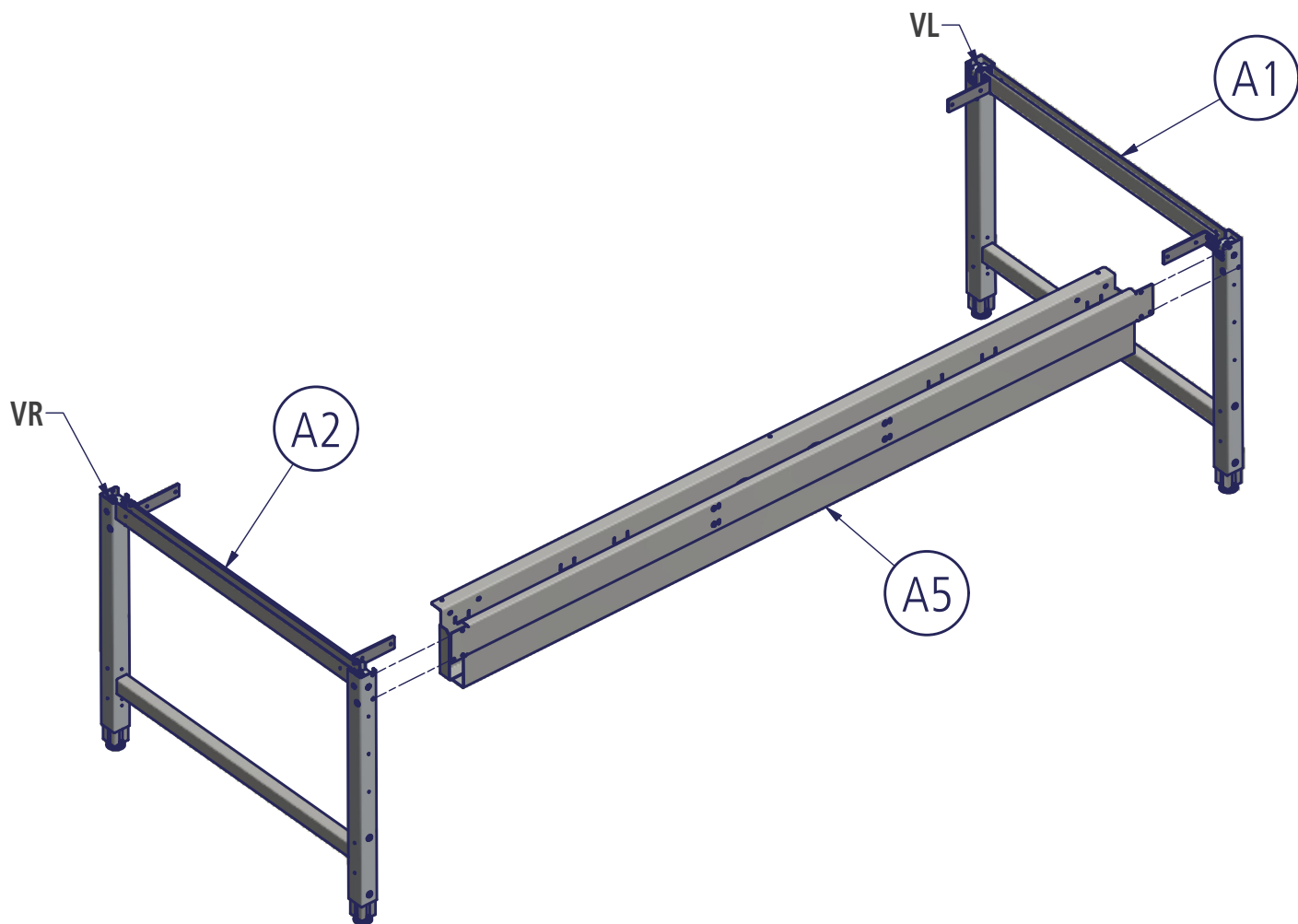
3.



4.

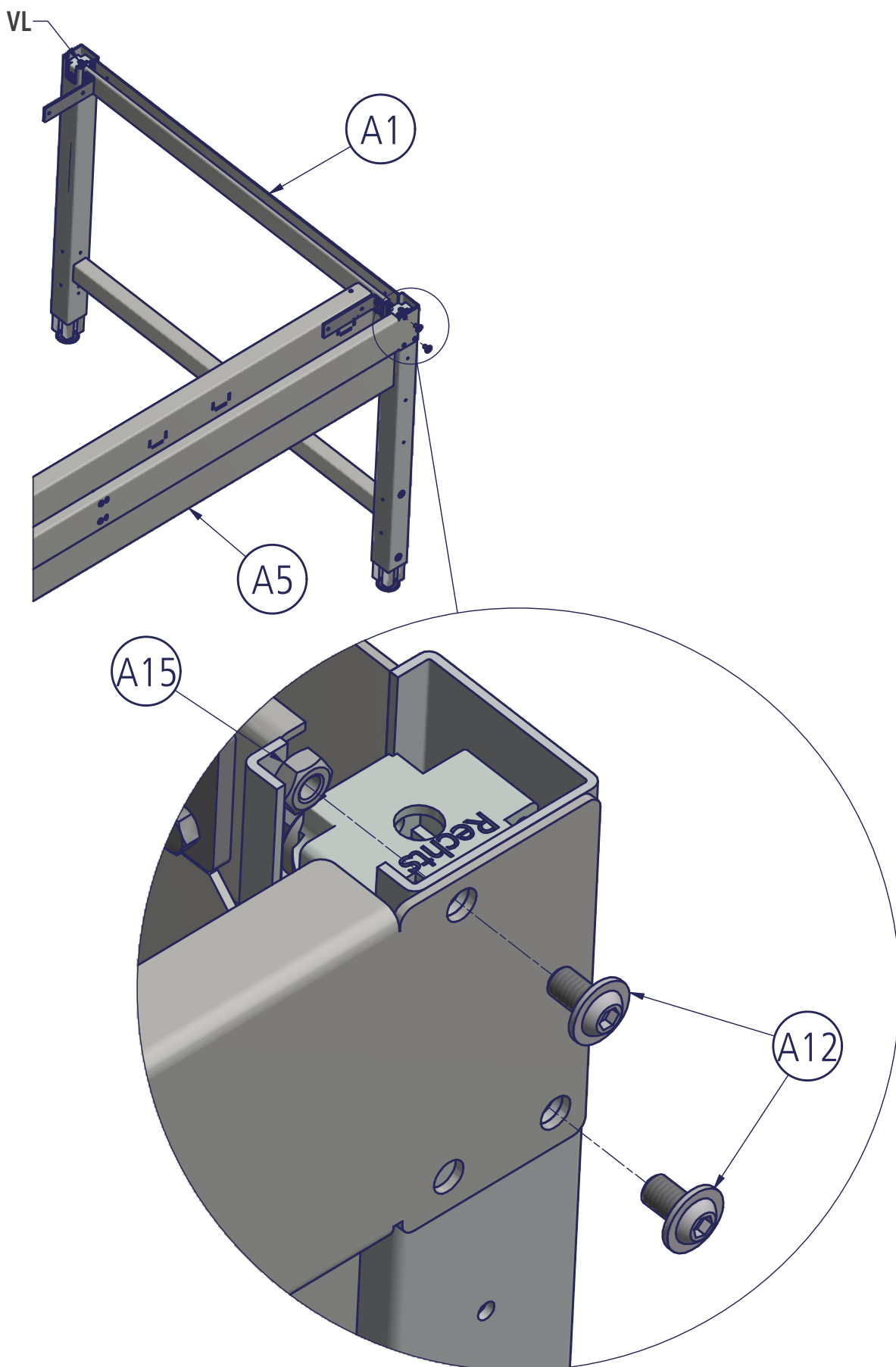


# 5.

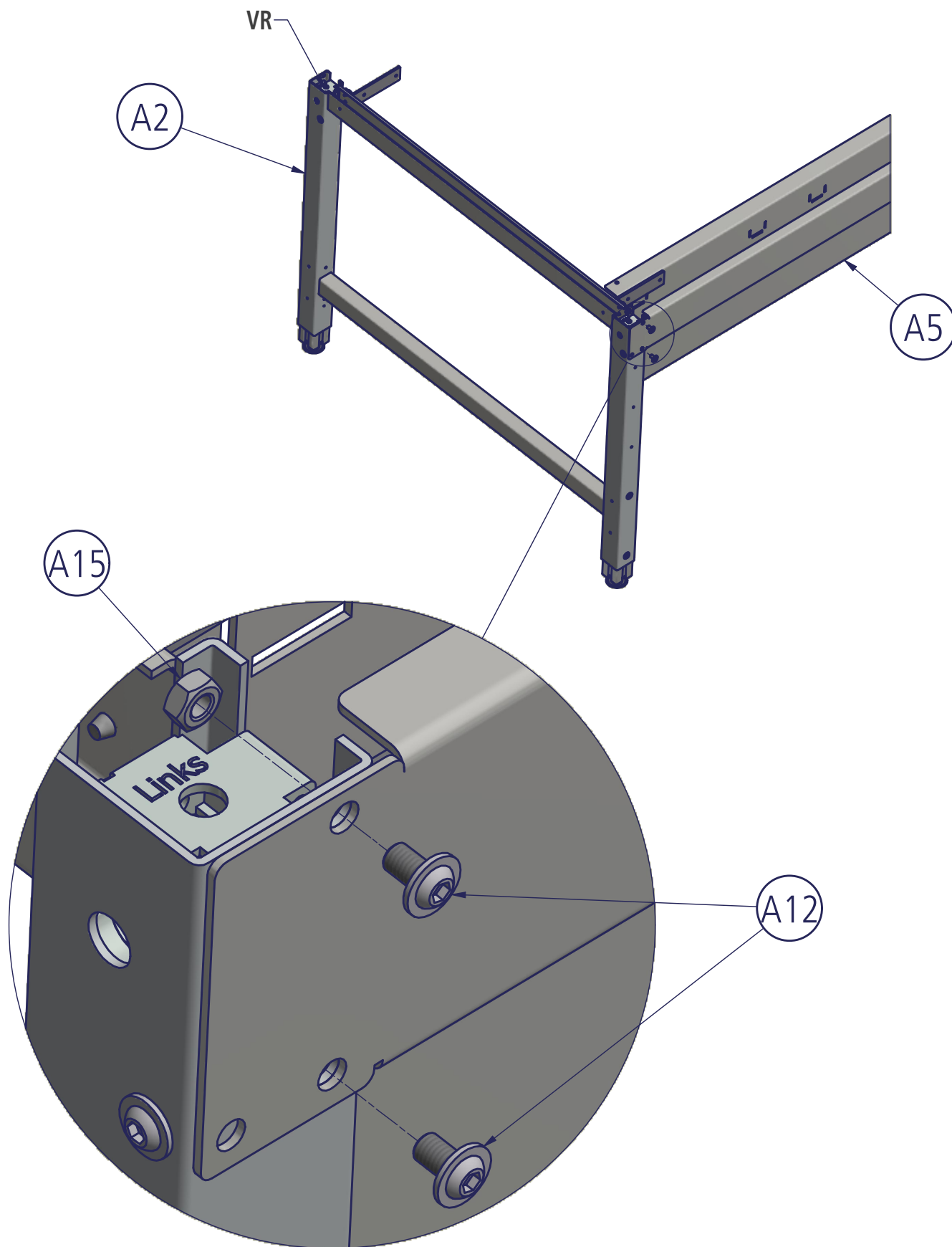




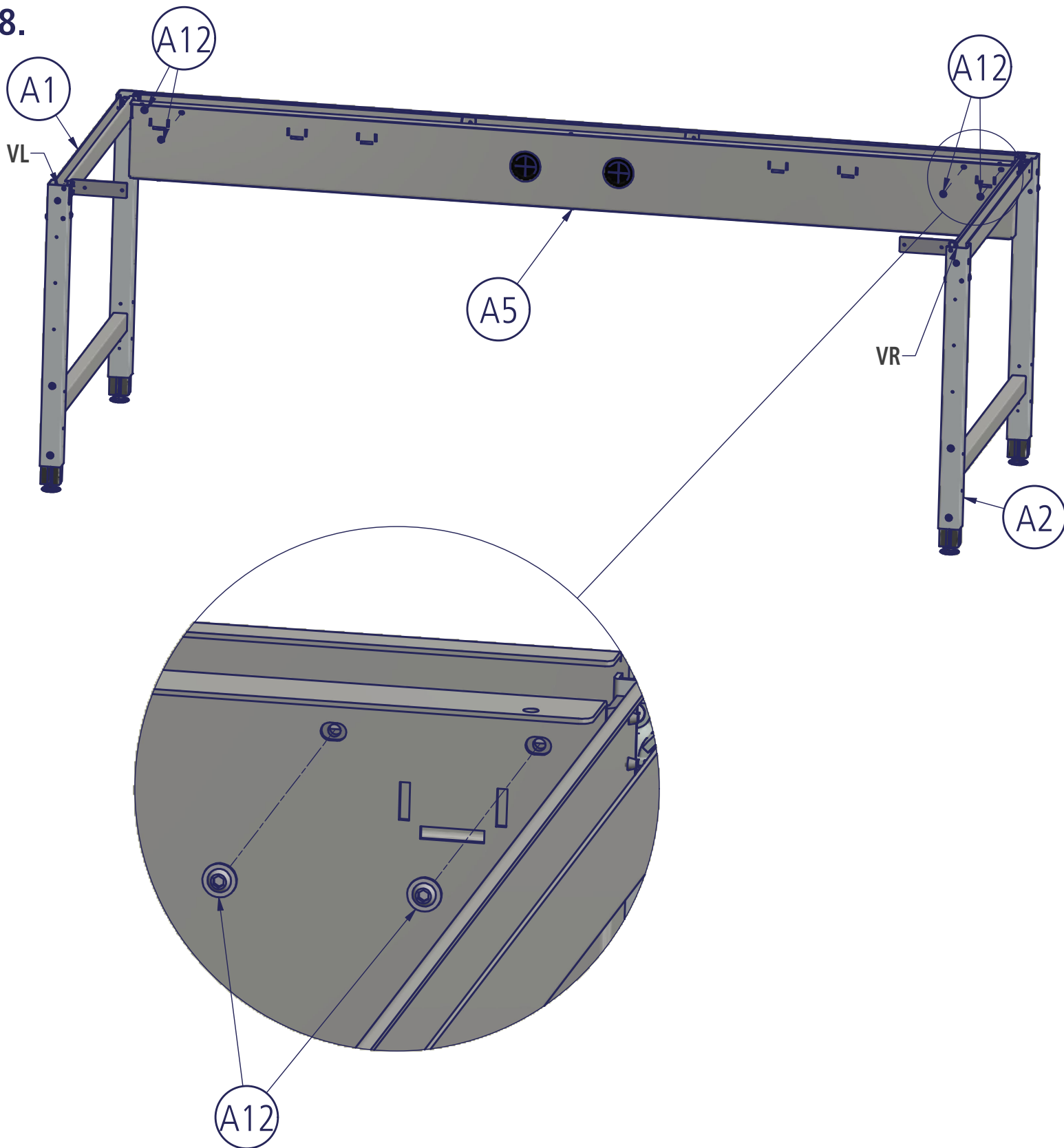
6.



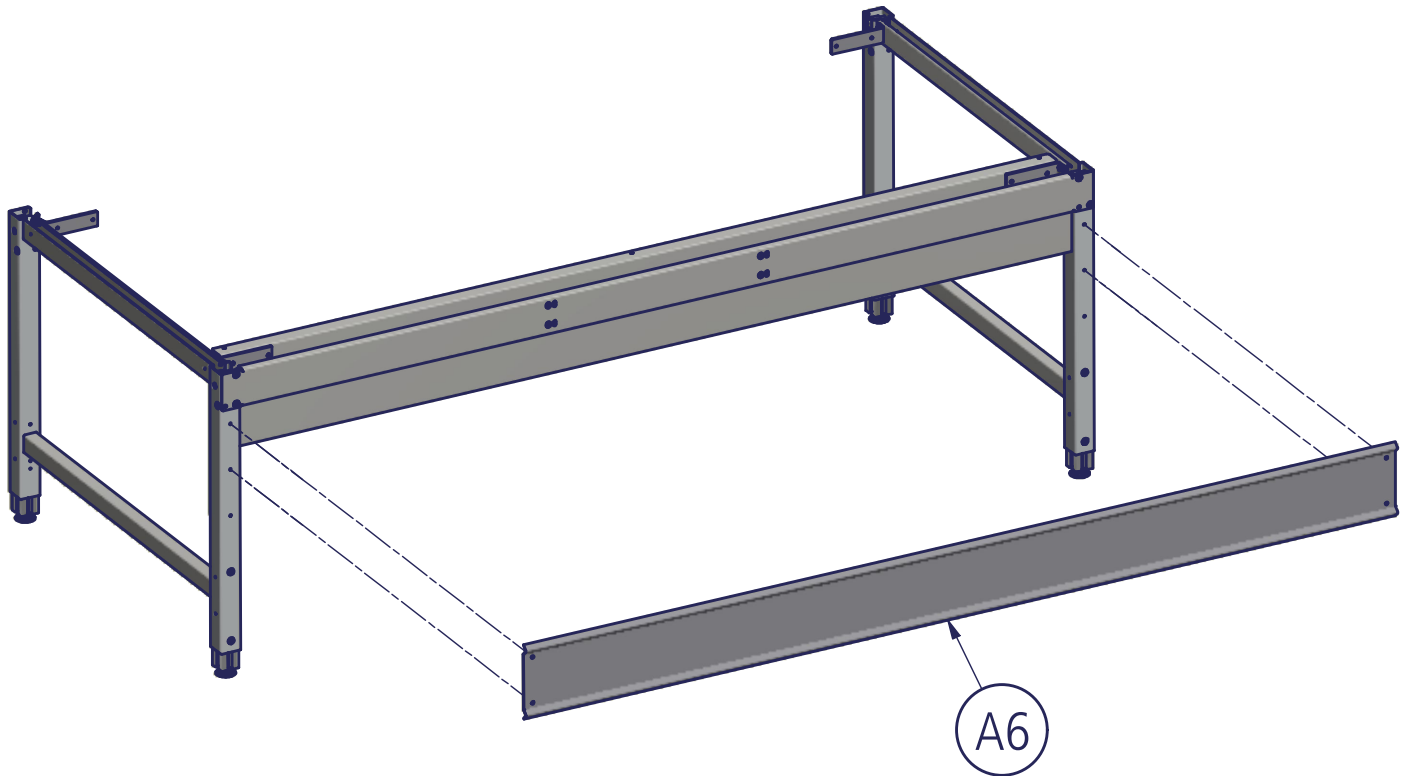
7.



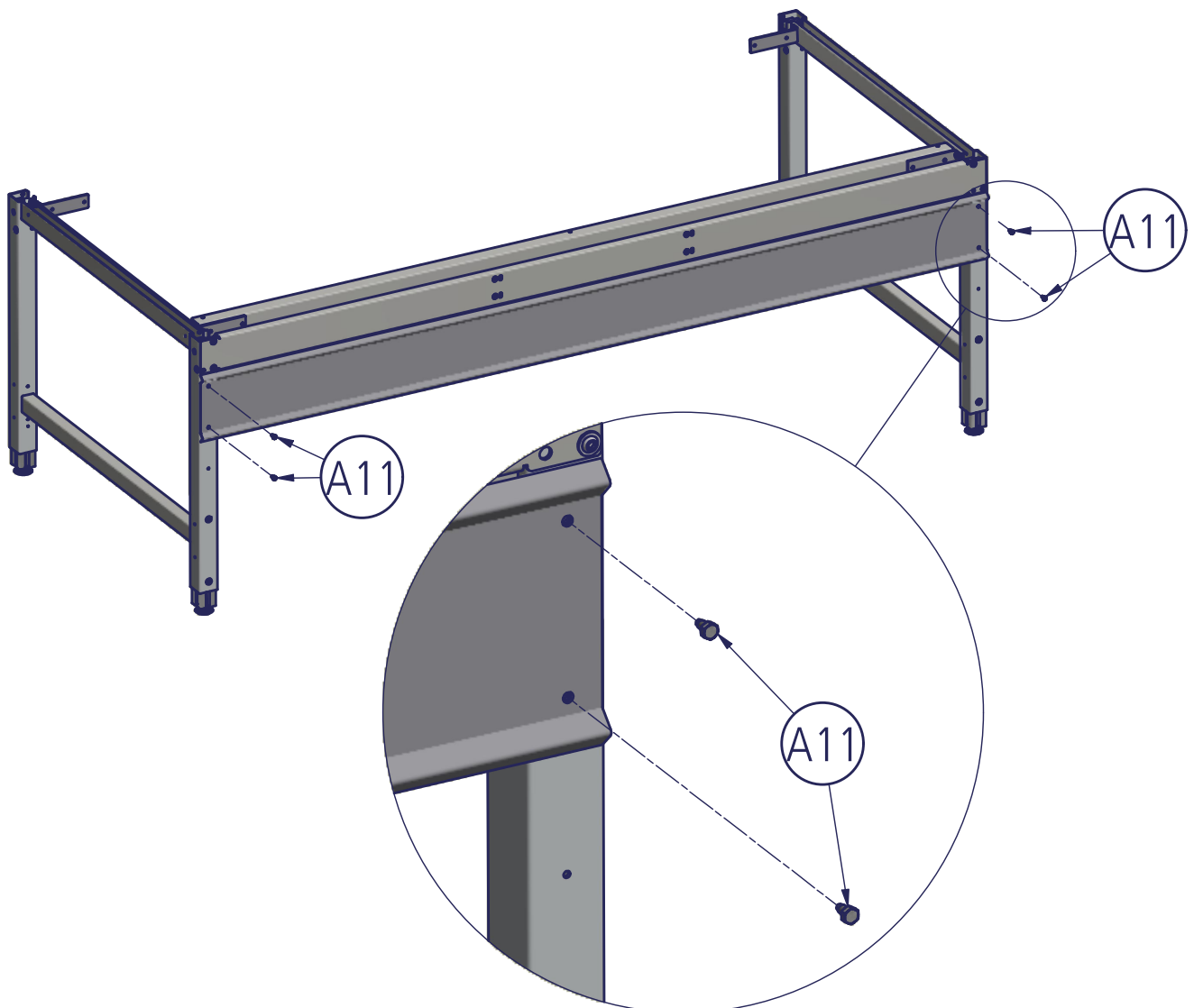
8.



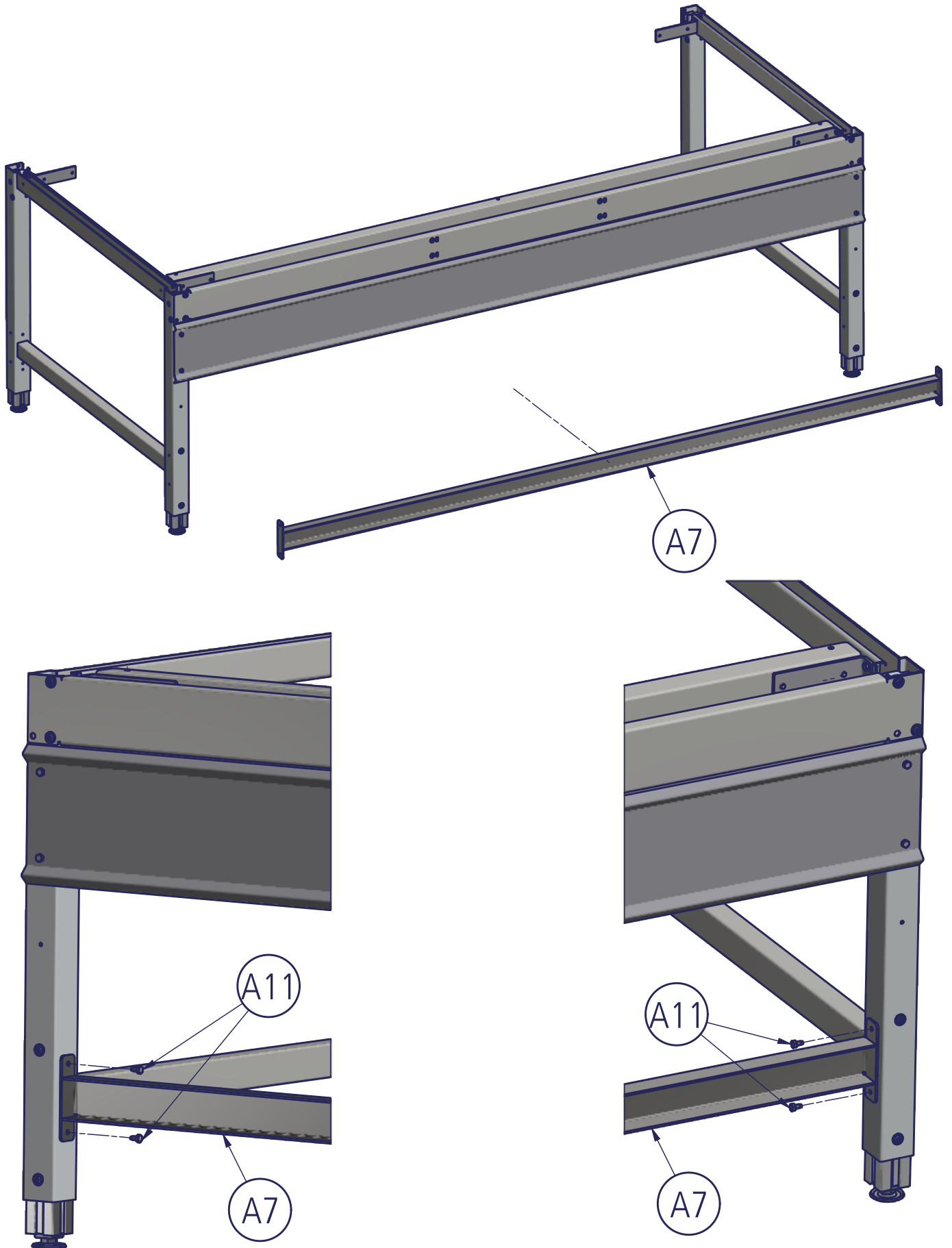
9.



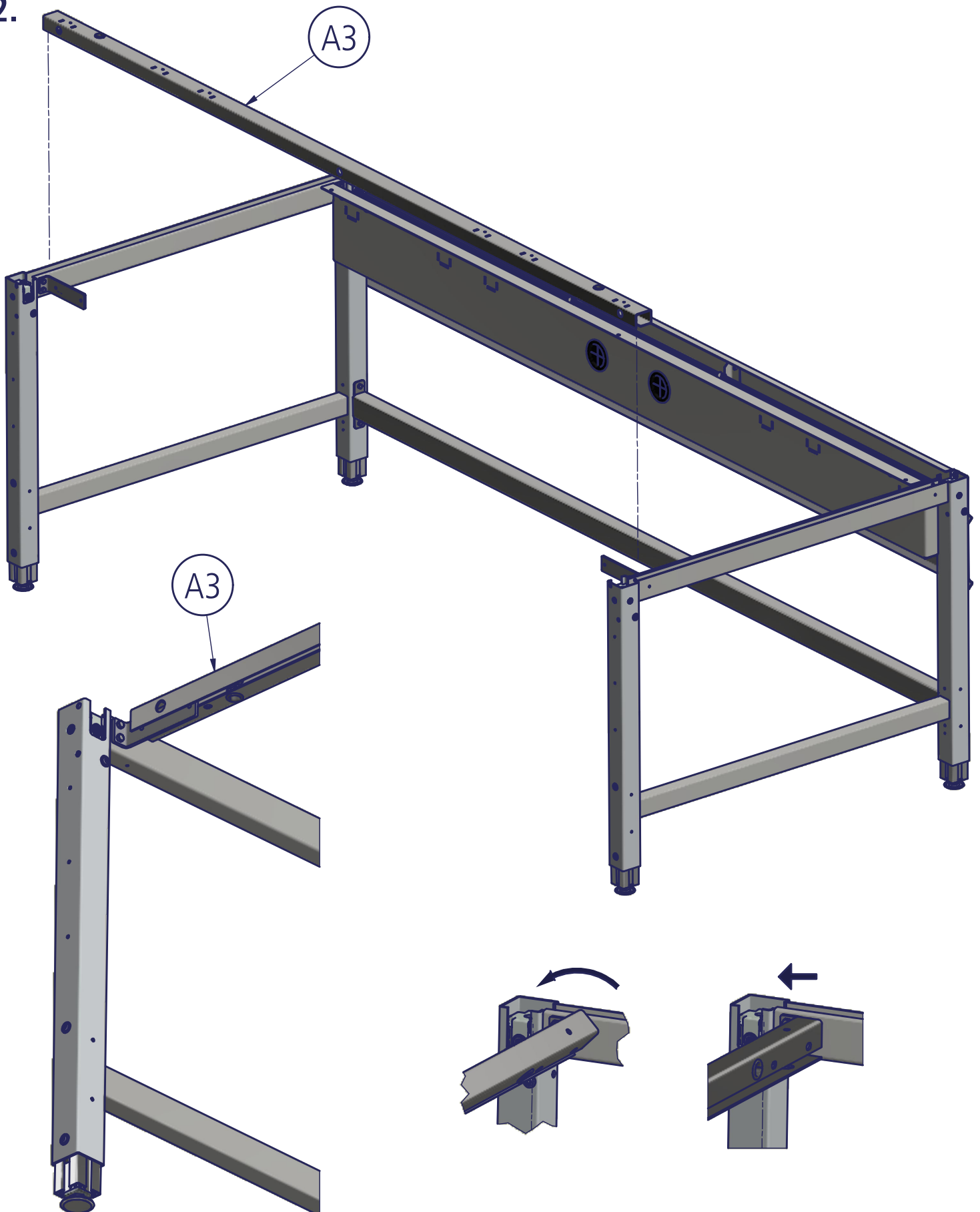
10.



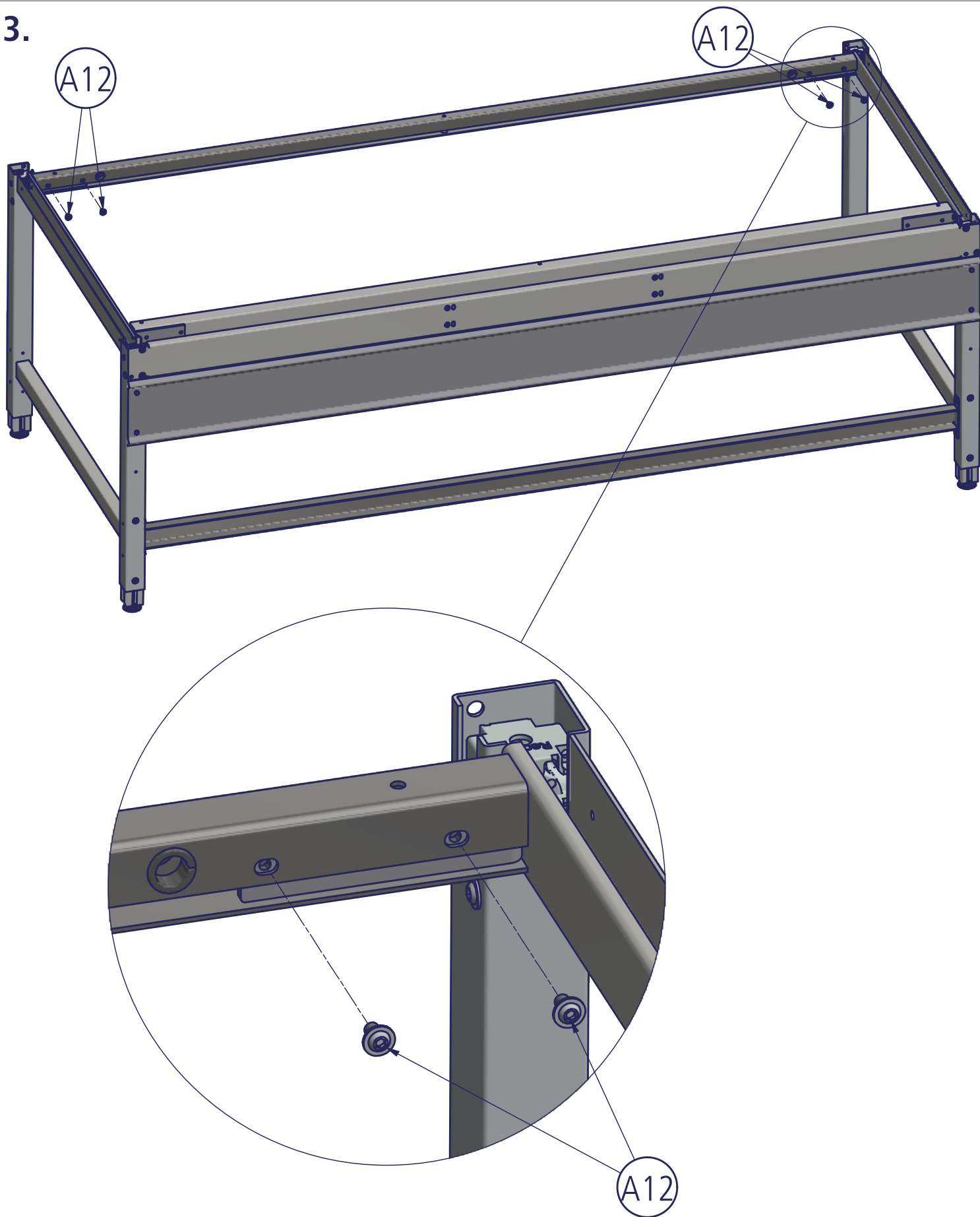
# 11.



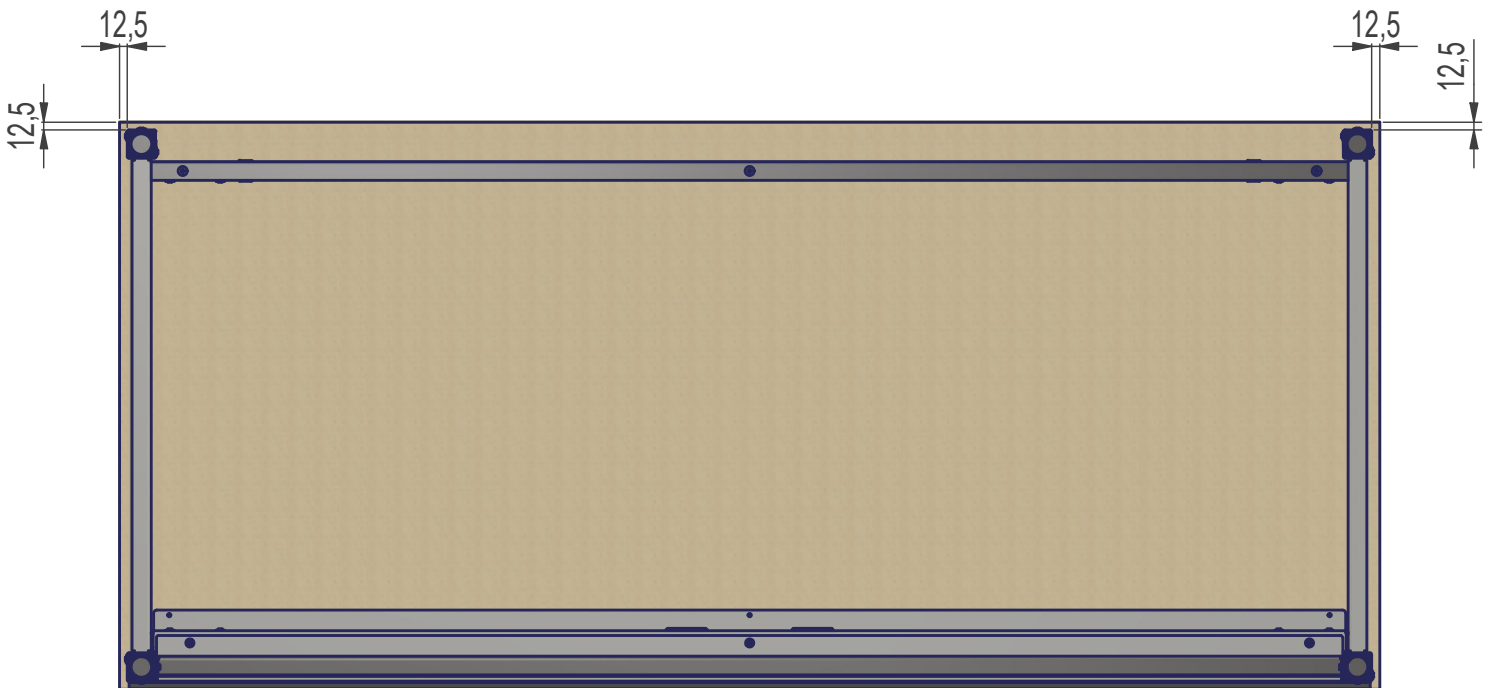
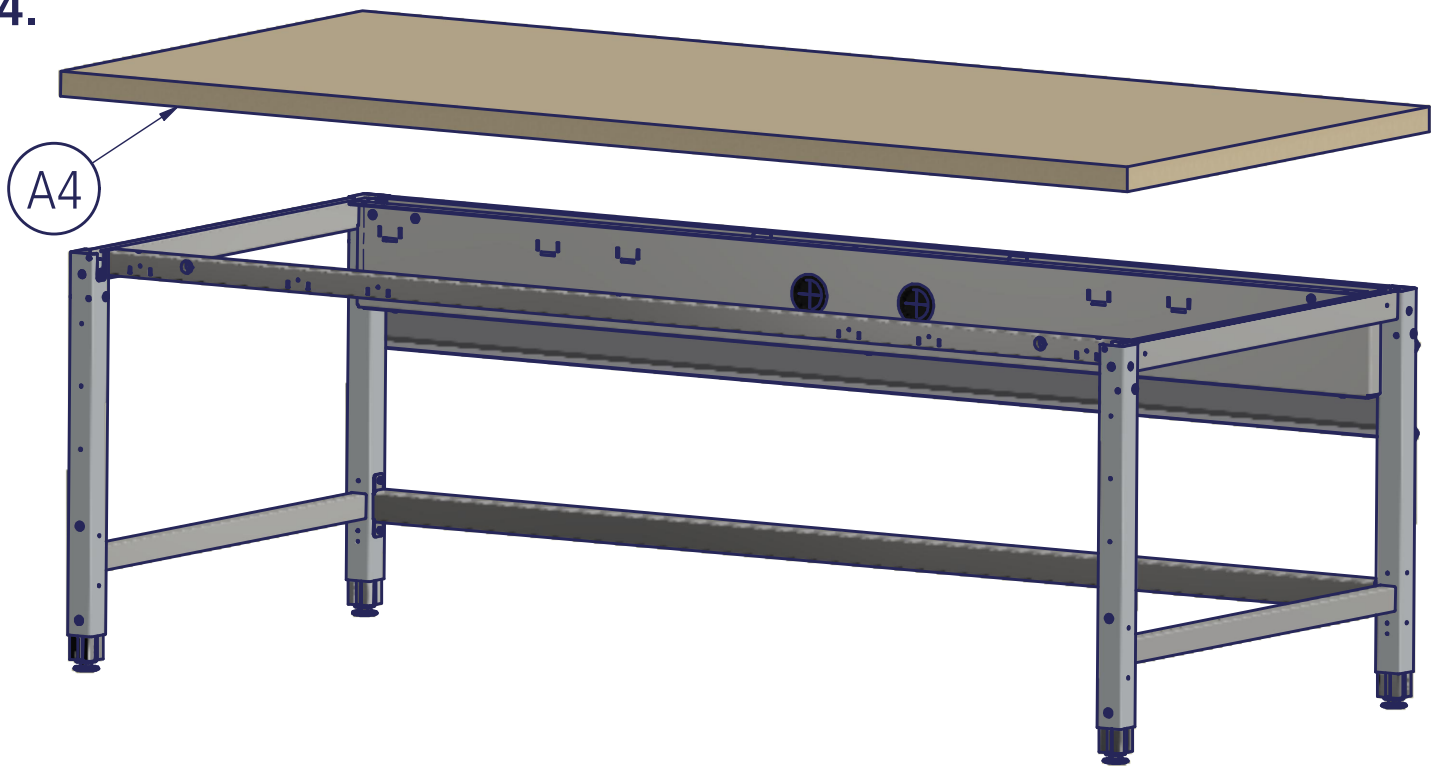
12.



13.

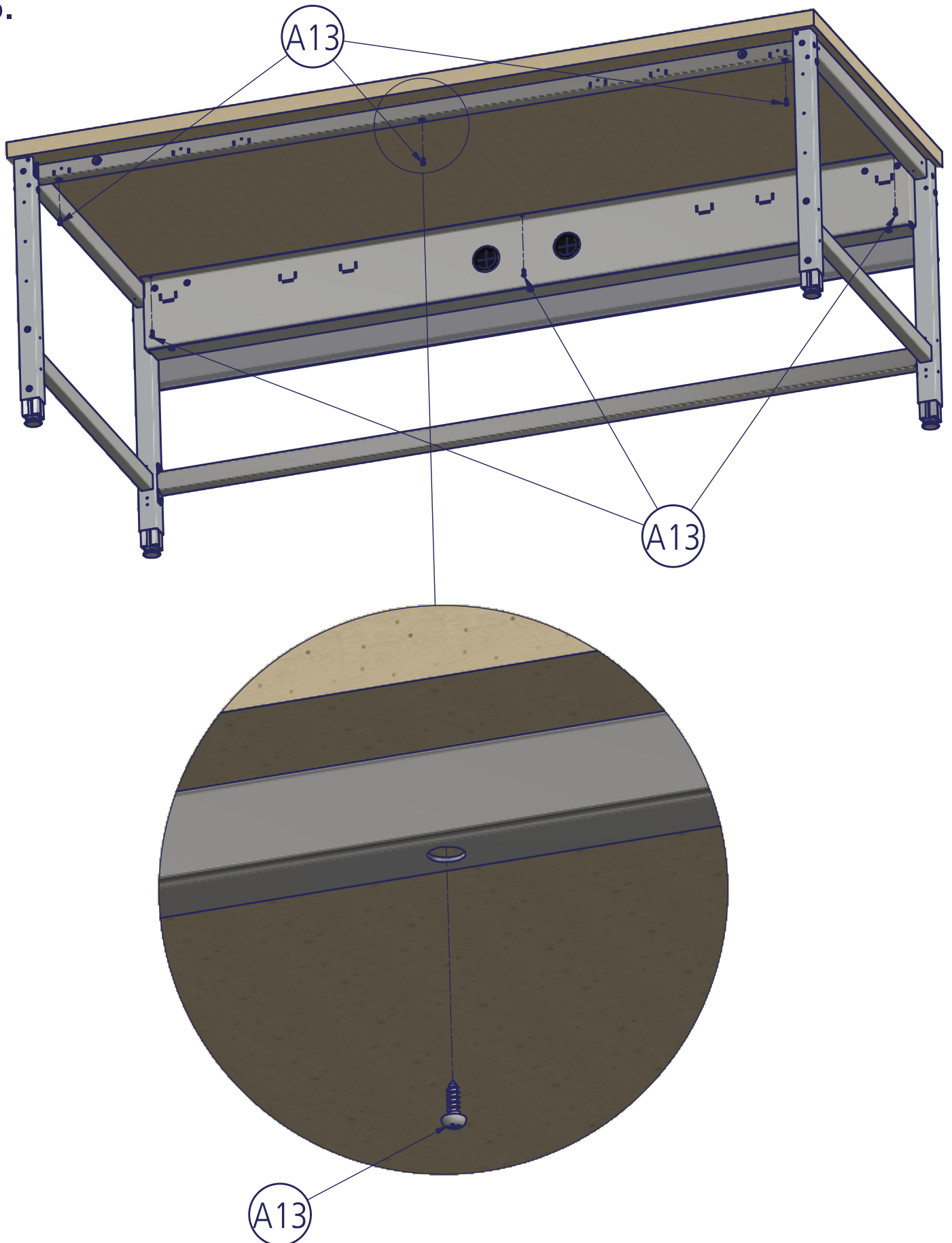


14.

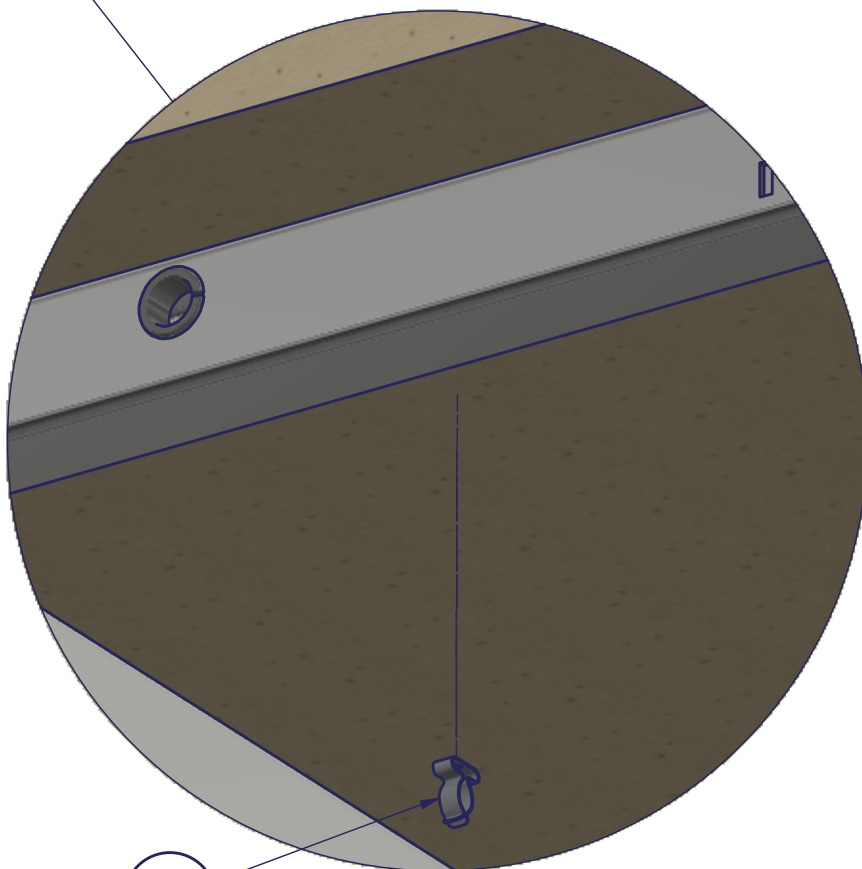
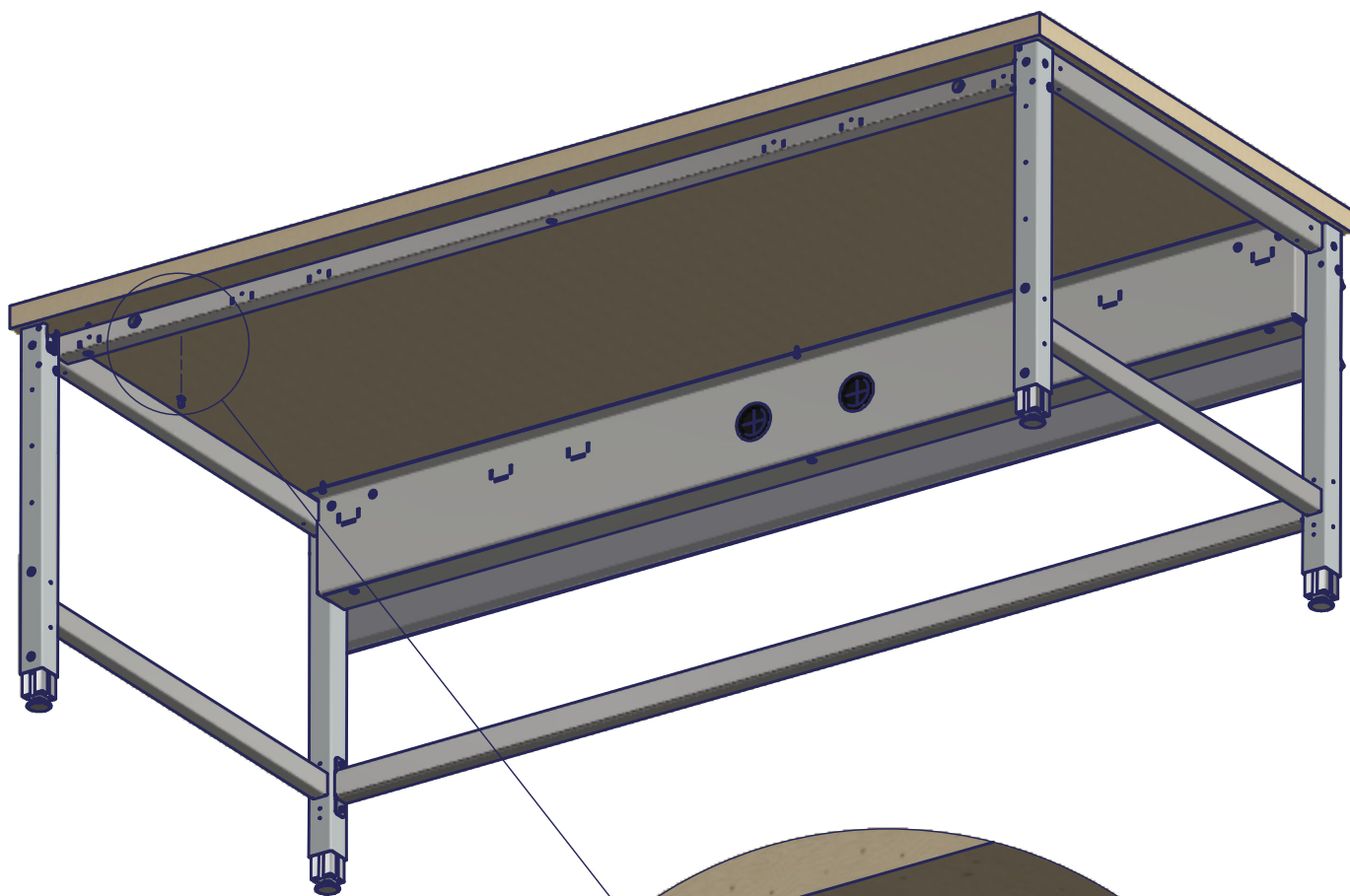




15.

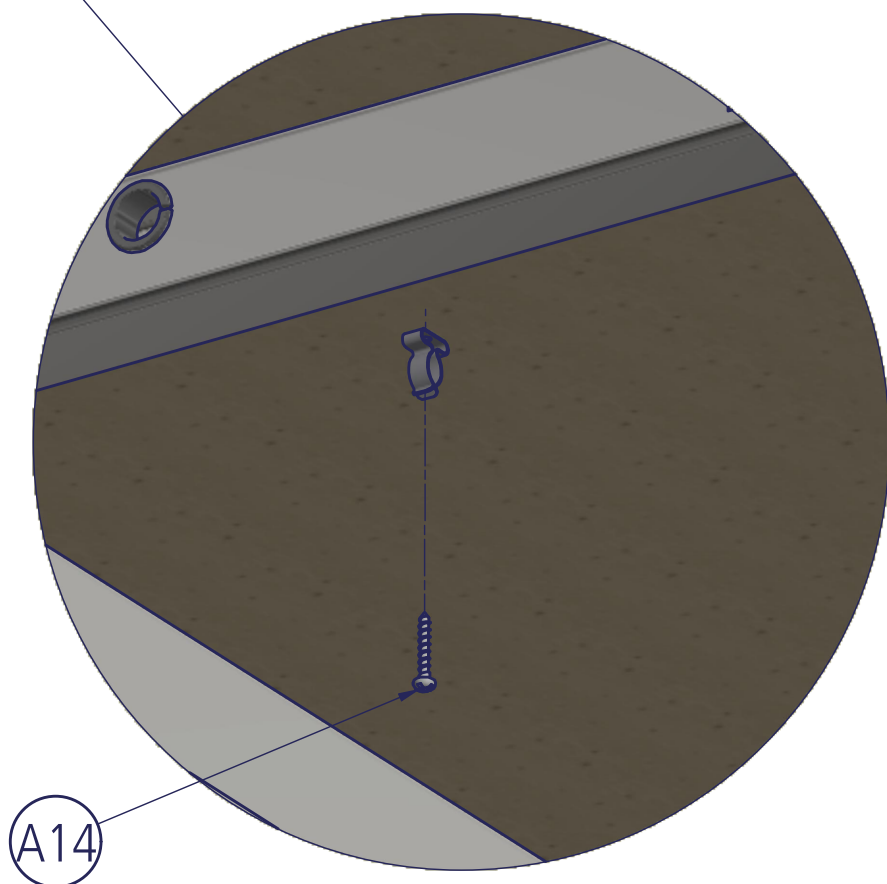
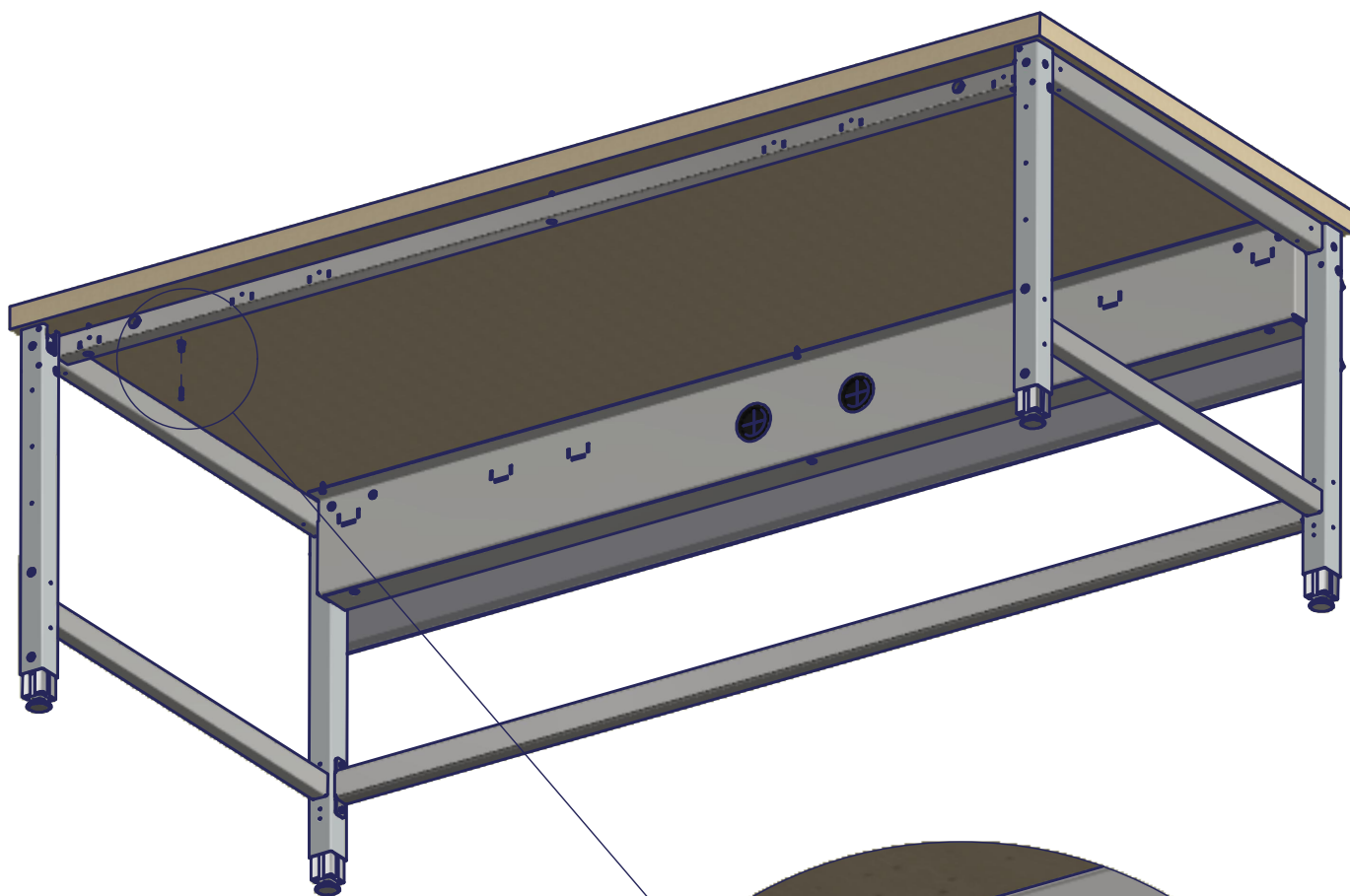


# 16.



A9

# 17.



18.

