



Montageanleitung

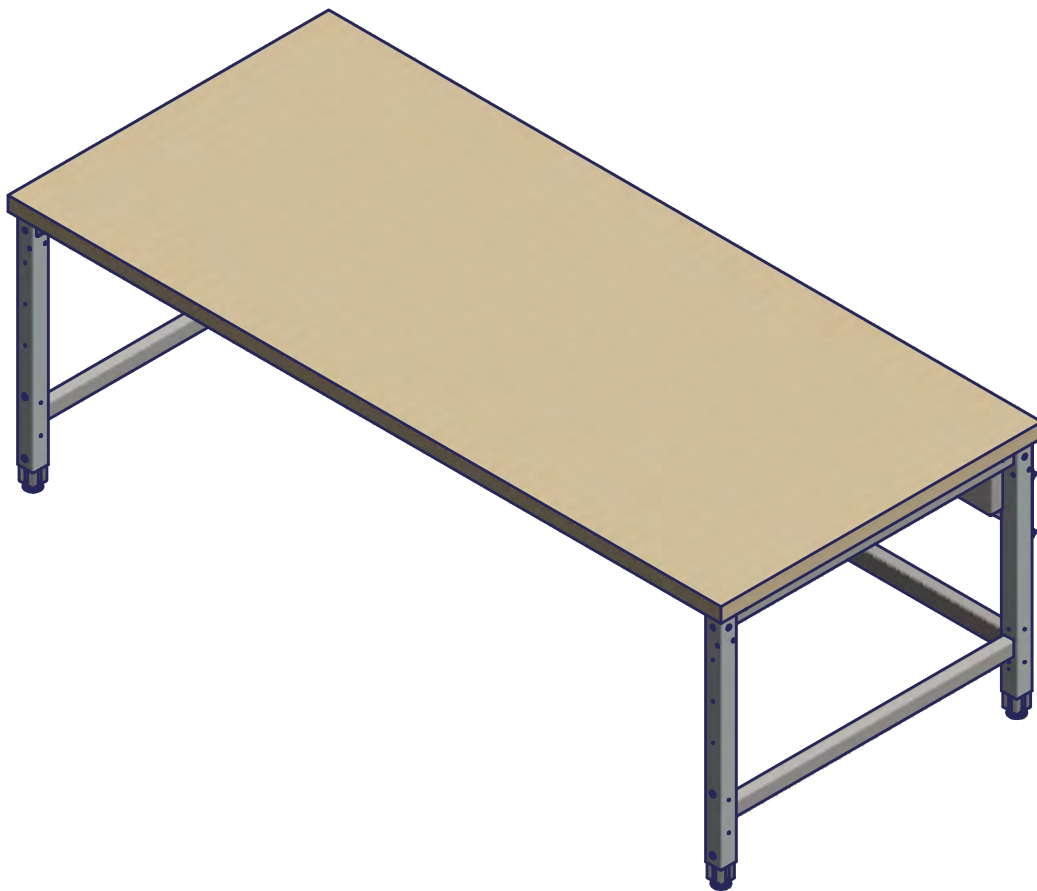
Workergo 4-Fuß, Klemm

Assembling instructions for

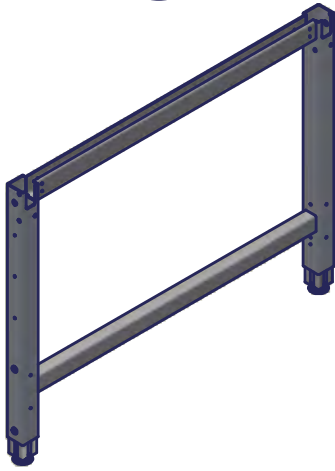
Workergo 4-foot, clamp

Instruction de montage

Workergo 4 pieds, serrage



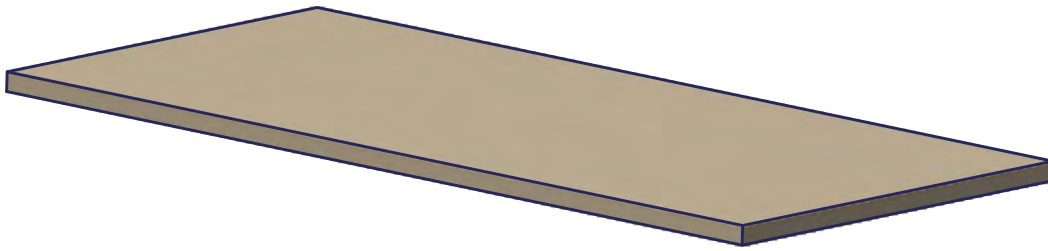
2x (A1)



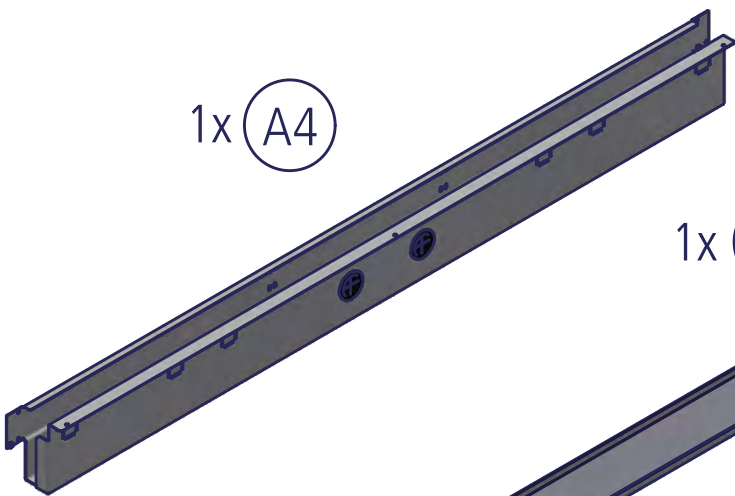
1x (A2)



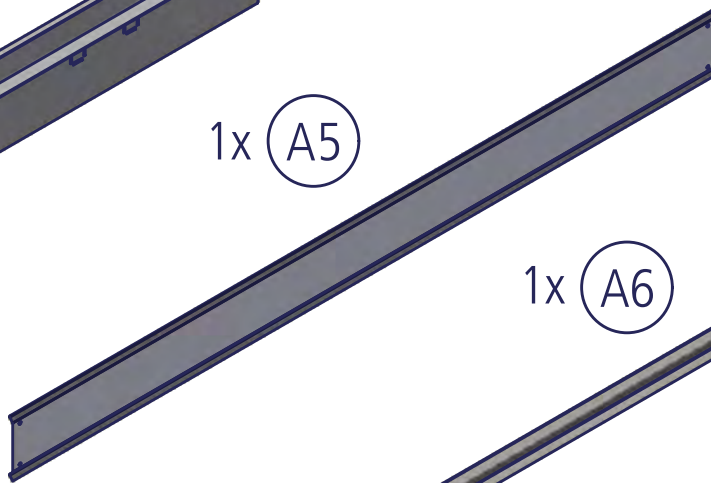
1x (A3)



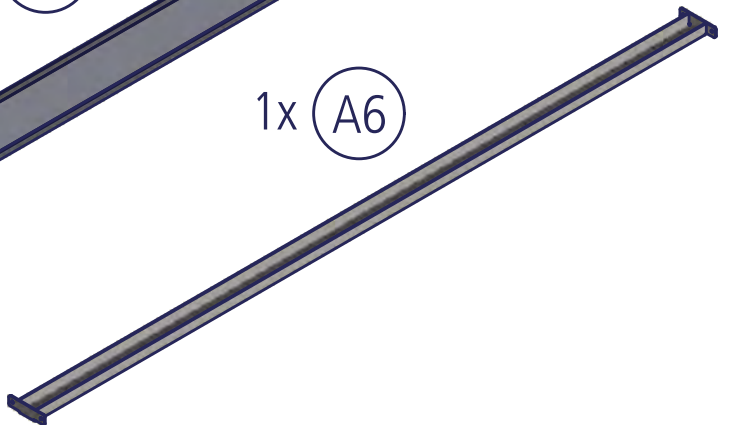
1x (A4)



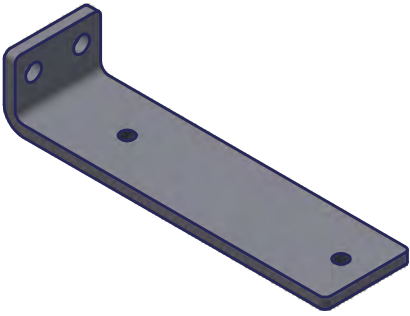
1x (A5)



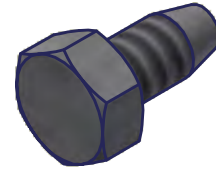
1x (A6)



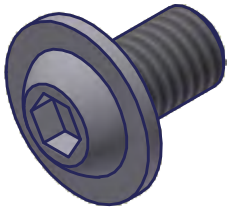
4x (A7)



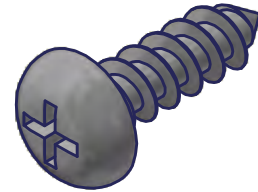
16x (A8)
4,8 x 9,5



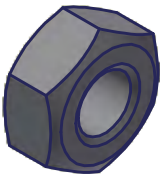
12x (A9)
M6 x 10



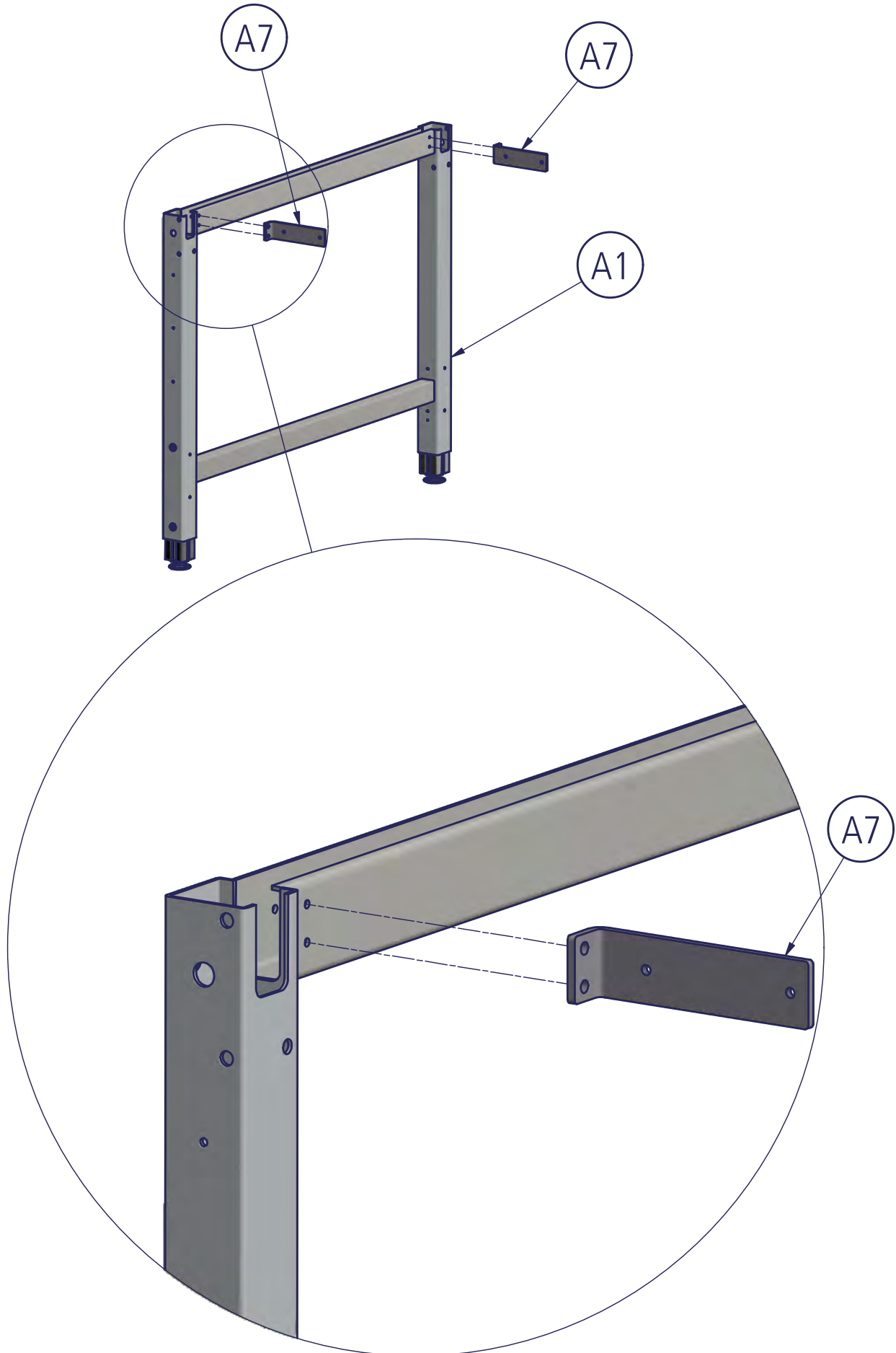
6x (A10)
5 x 16



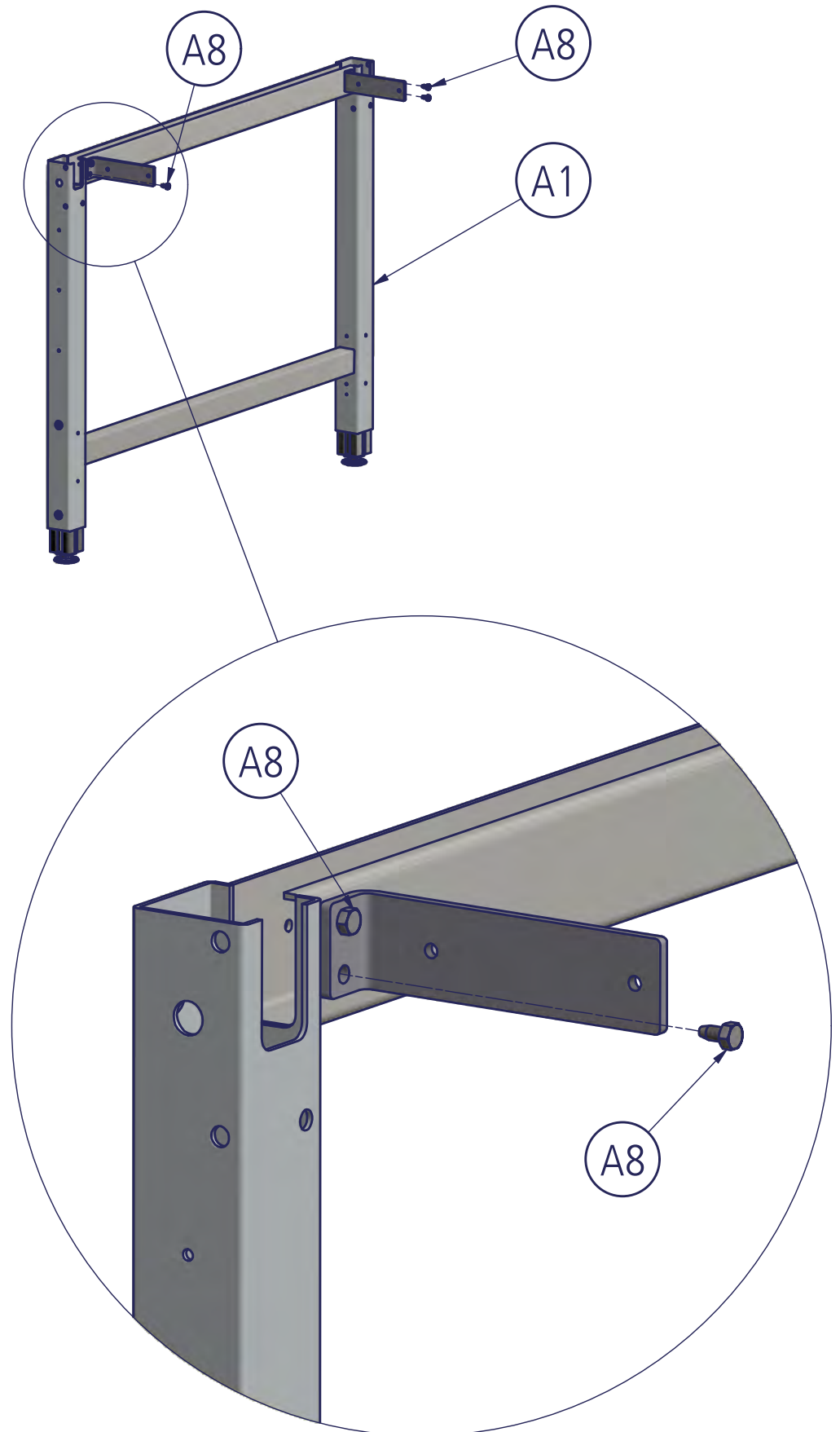
2x (A11)
M6



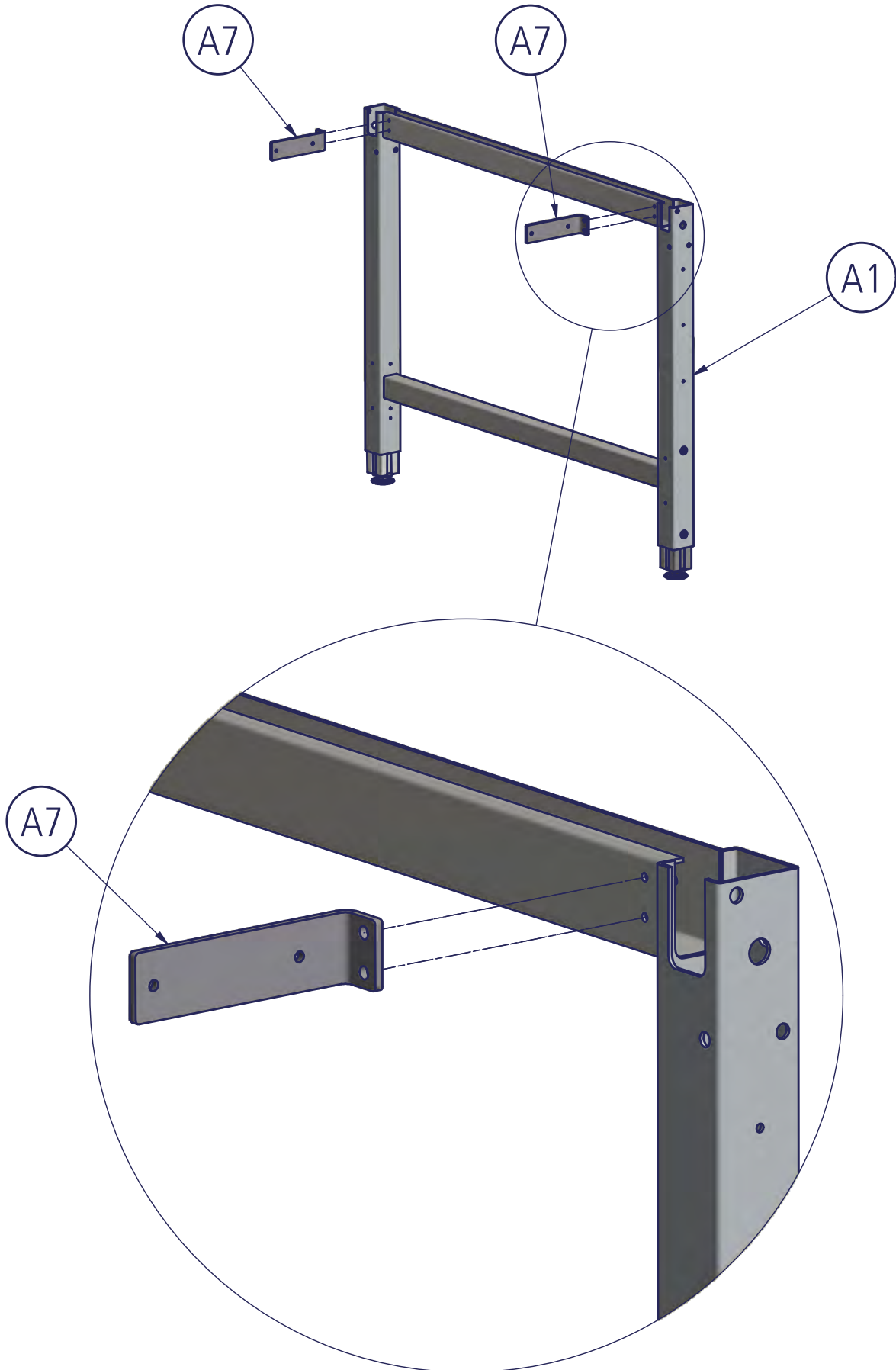
1.



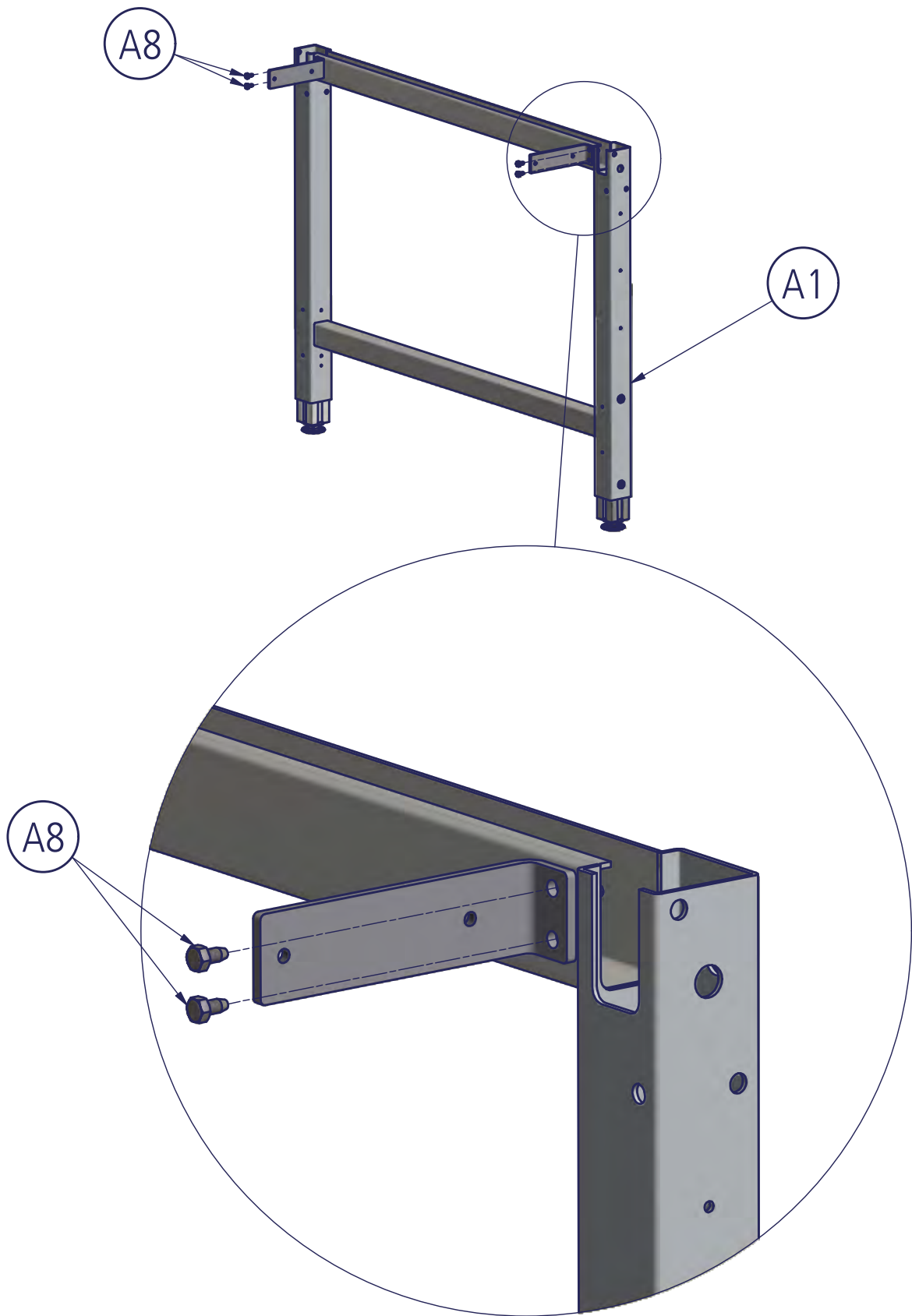
2.



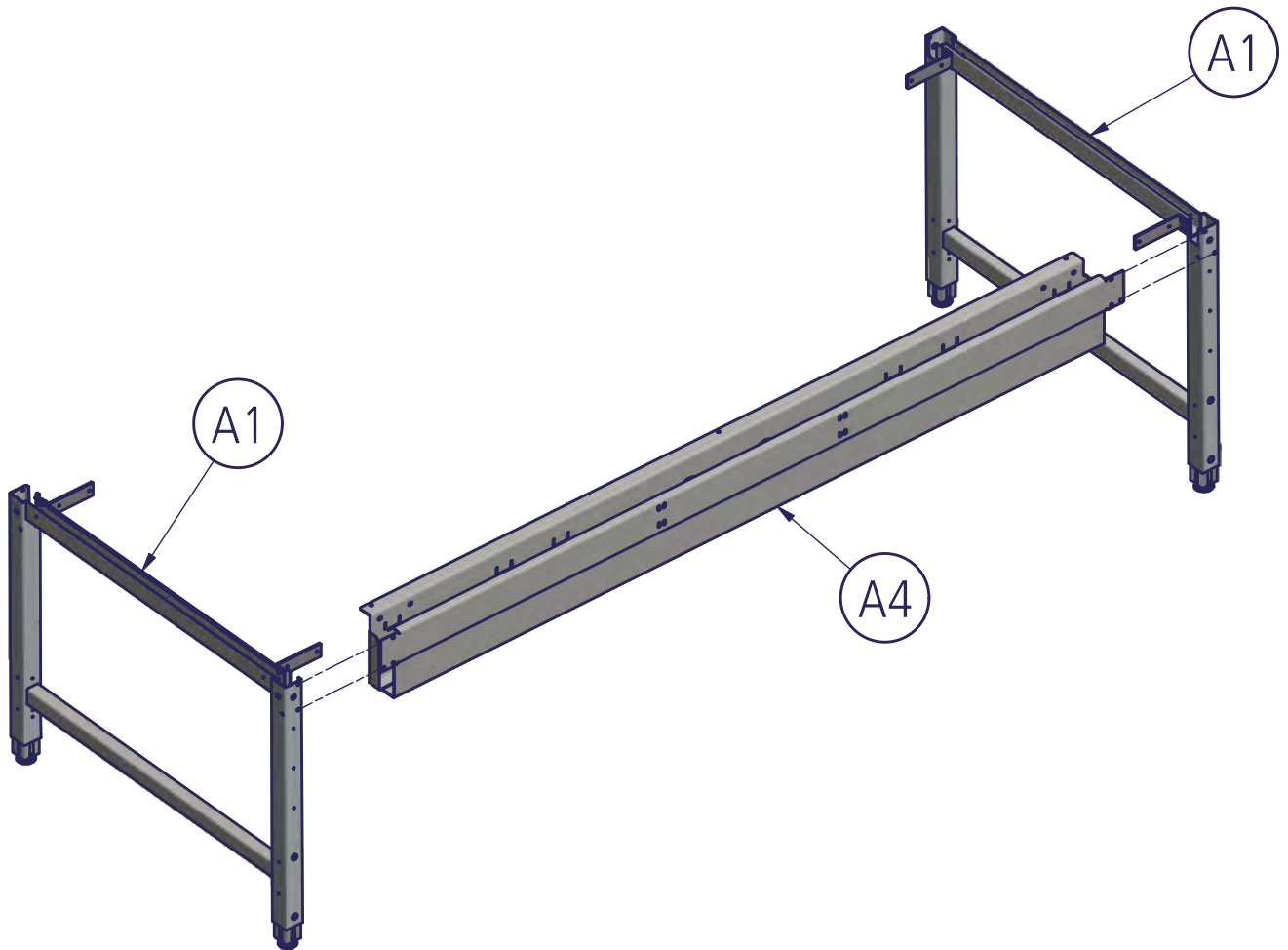
3.



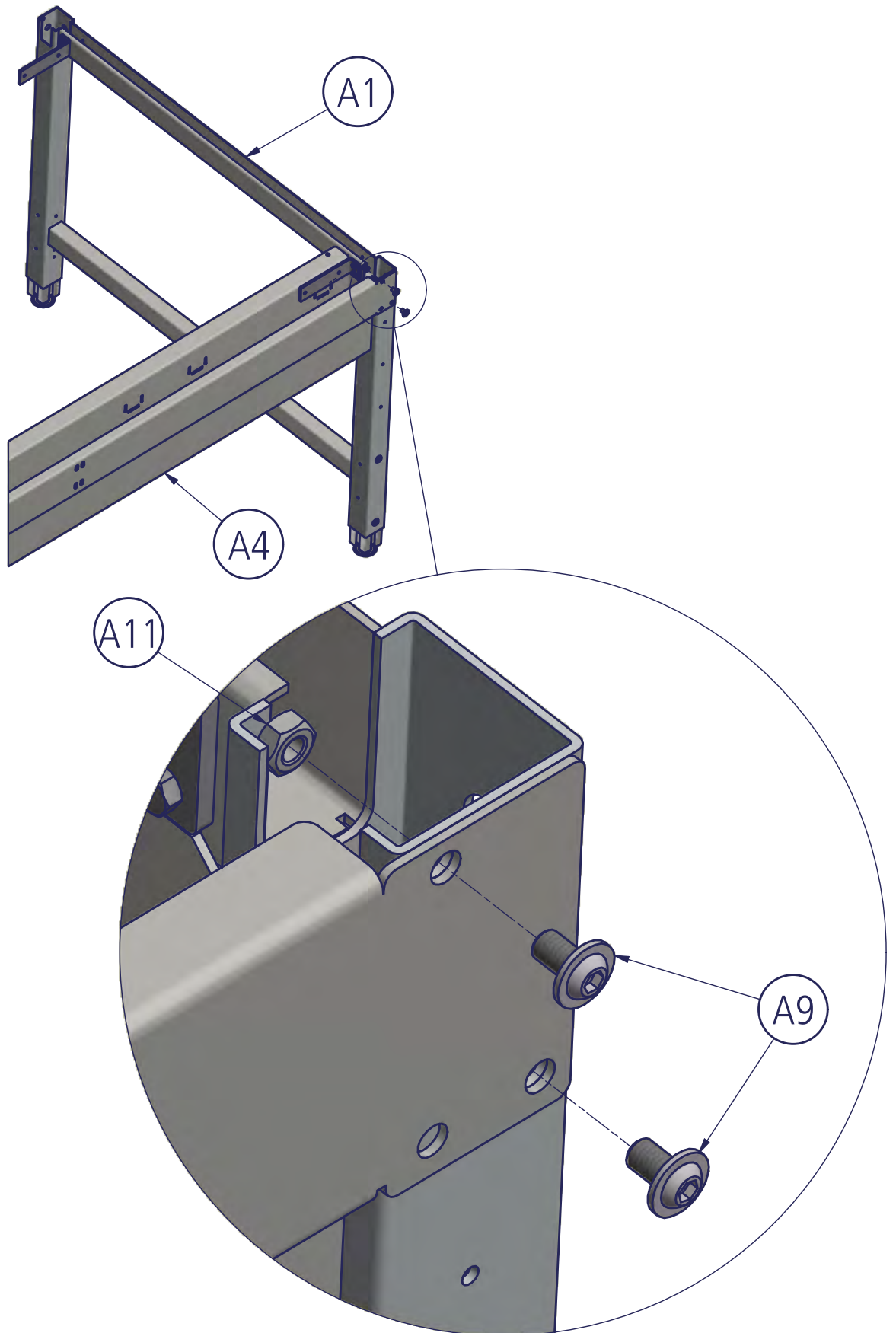
4.



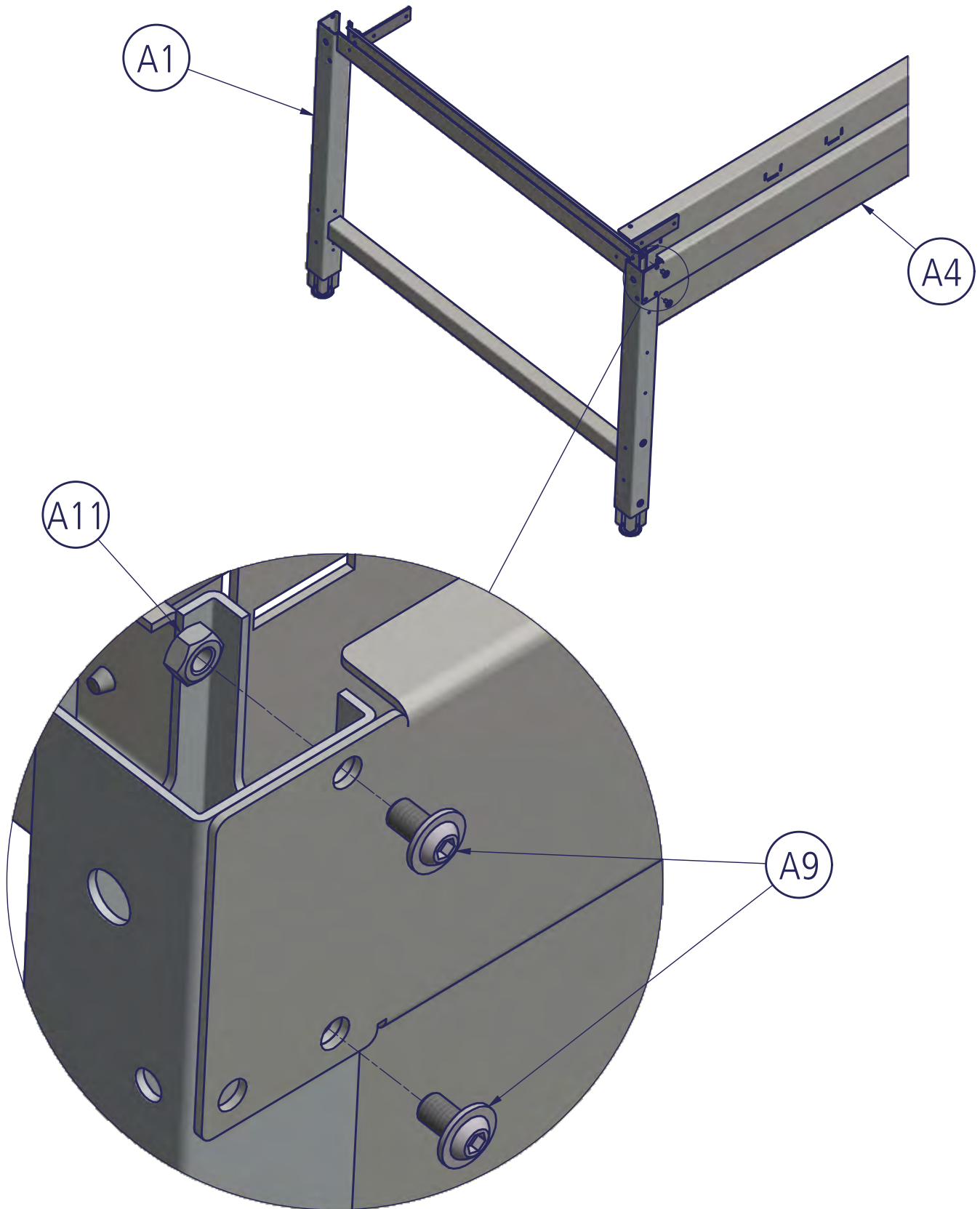
5.



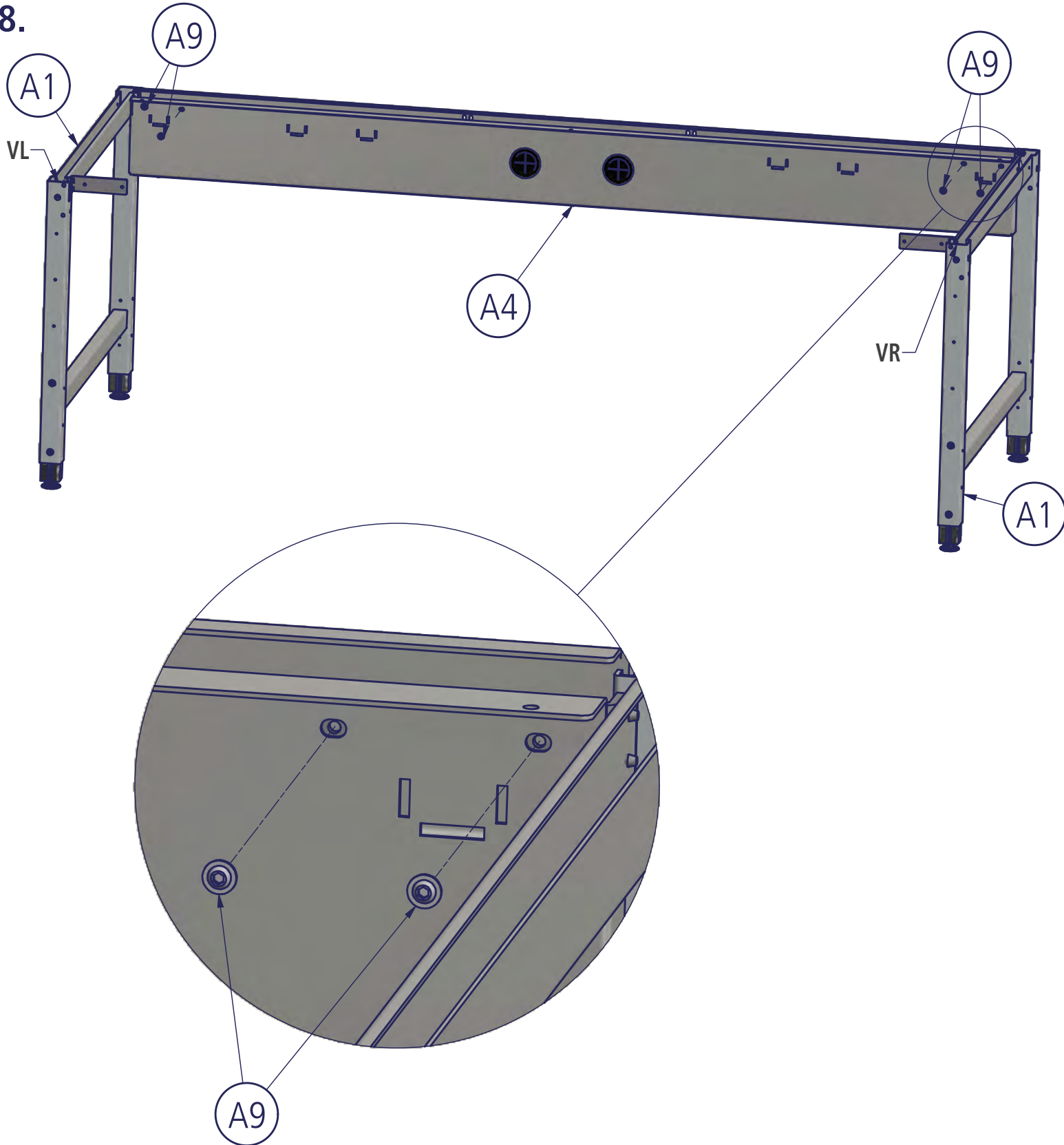
6.



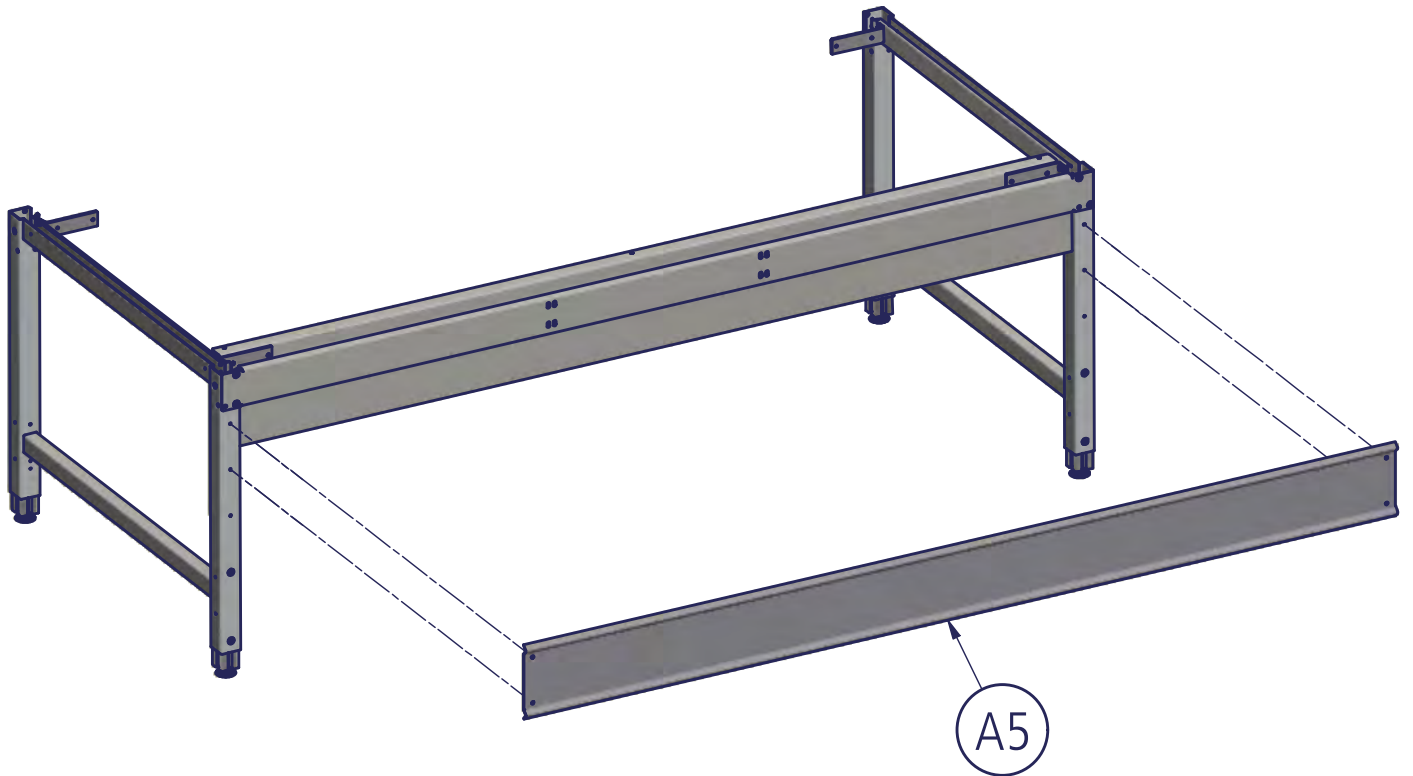
7.



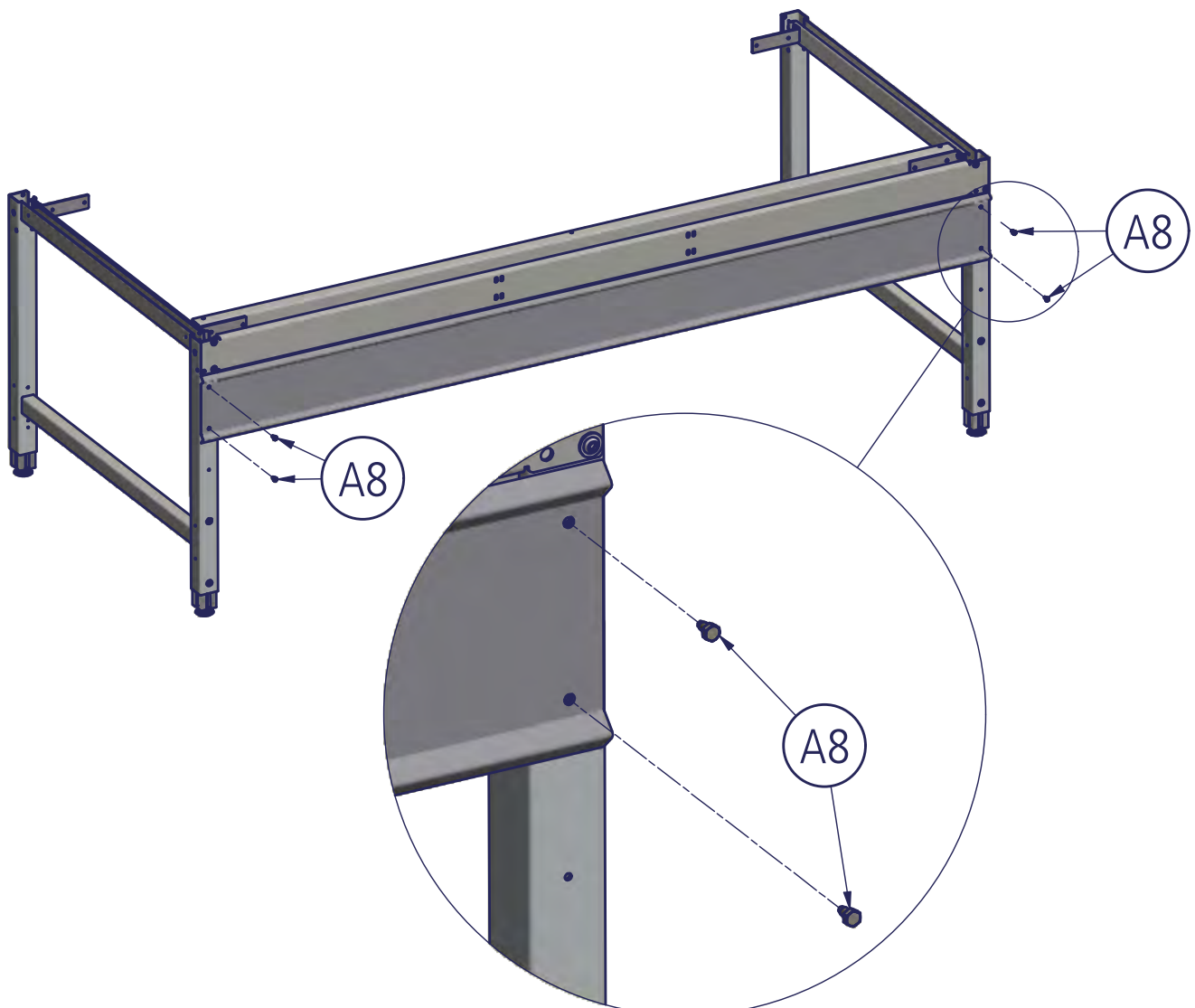
8.



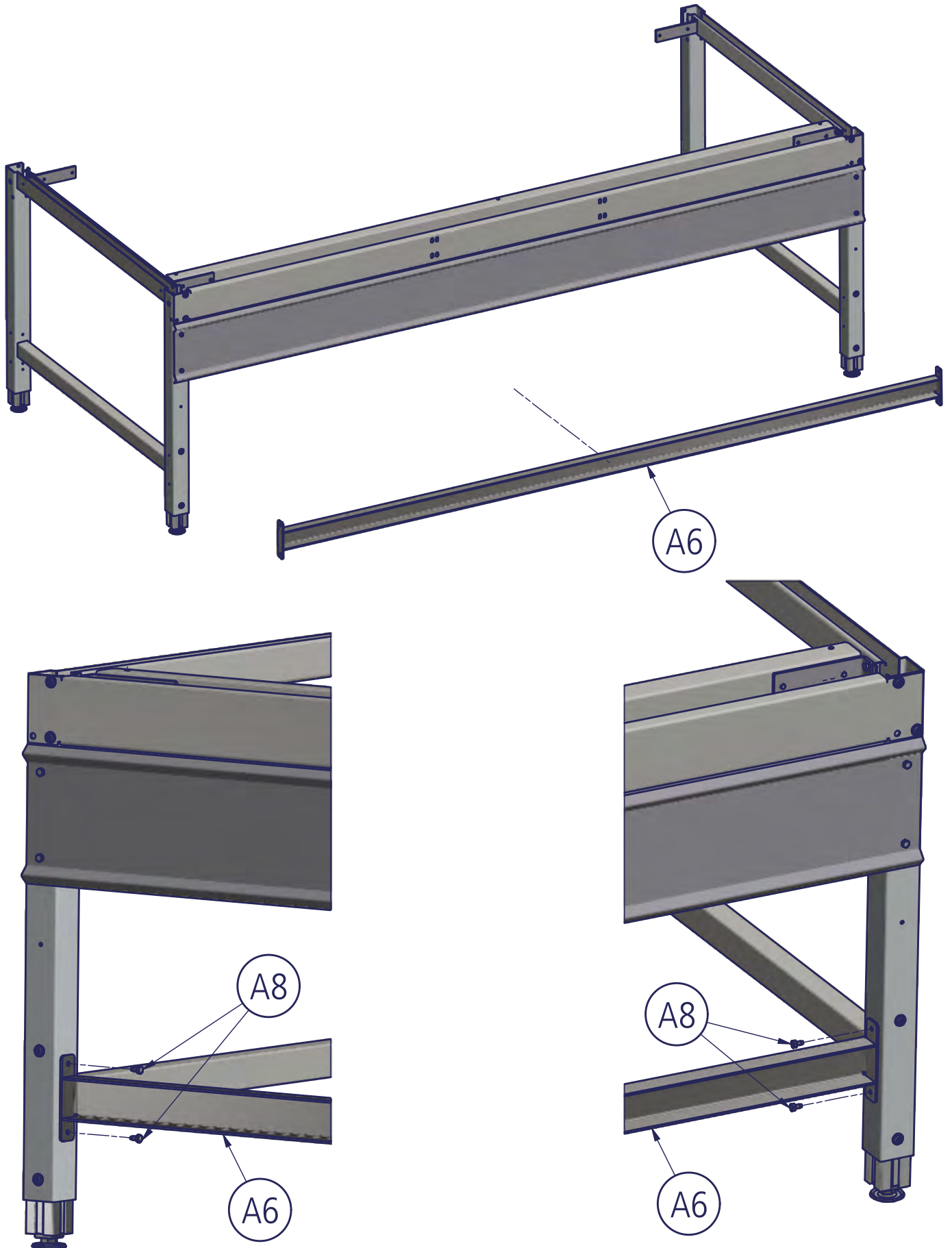
9.



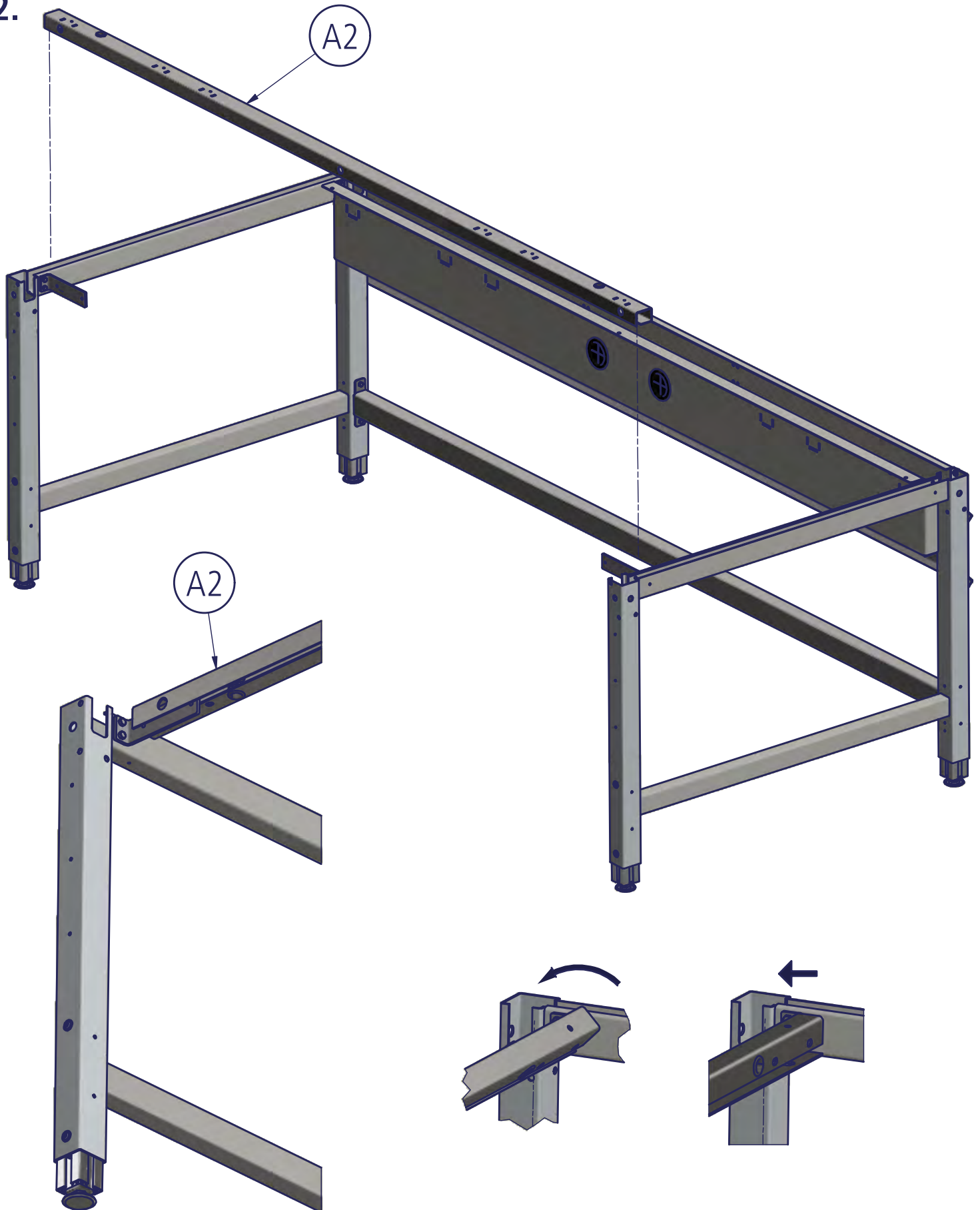
10.



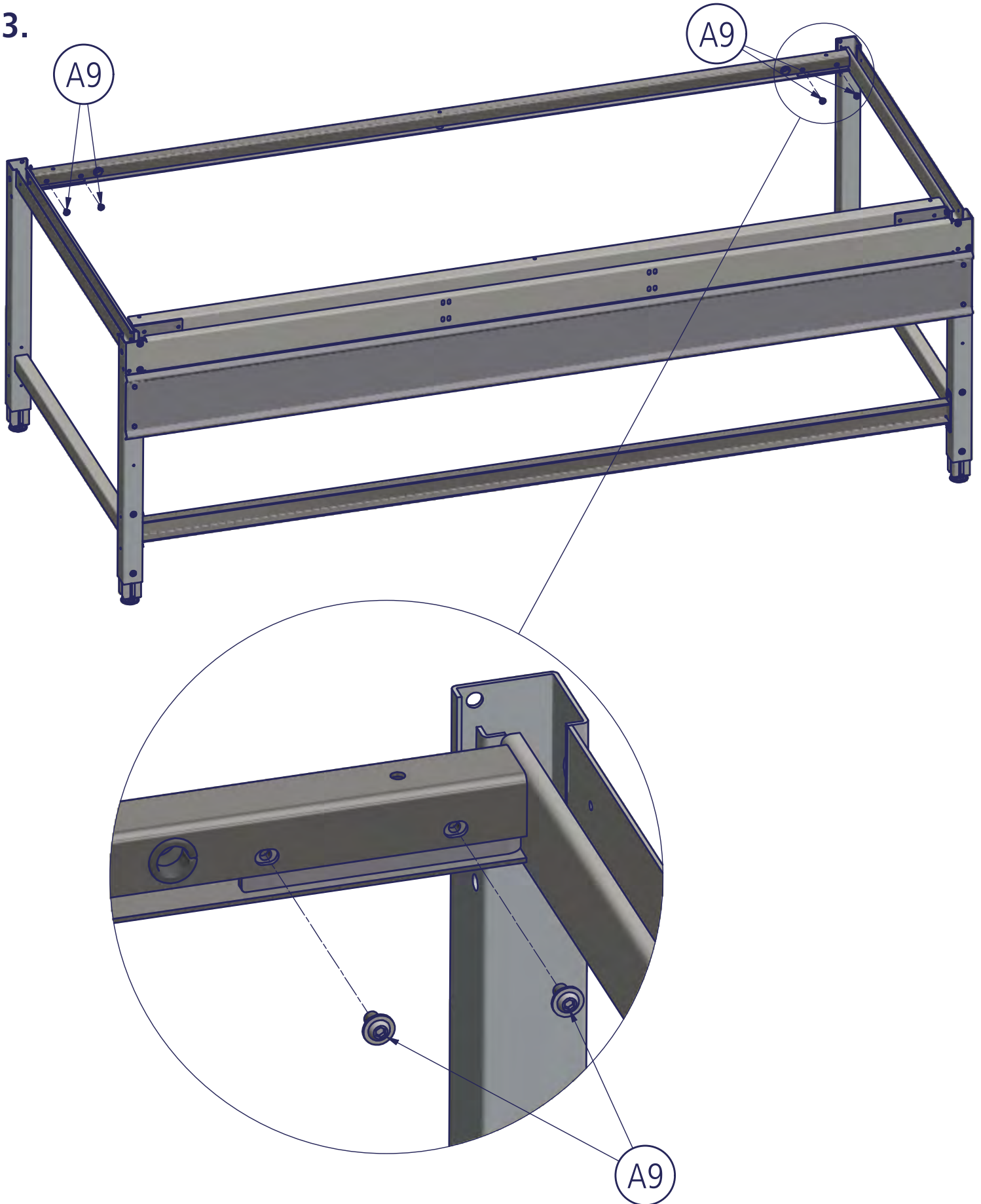
11.



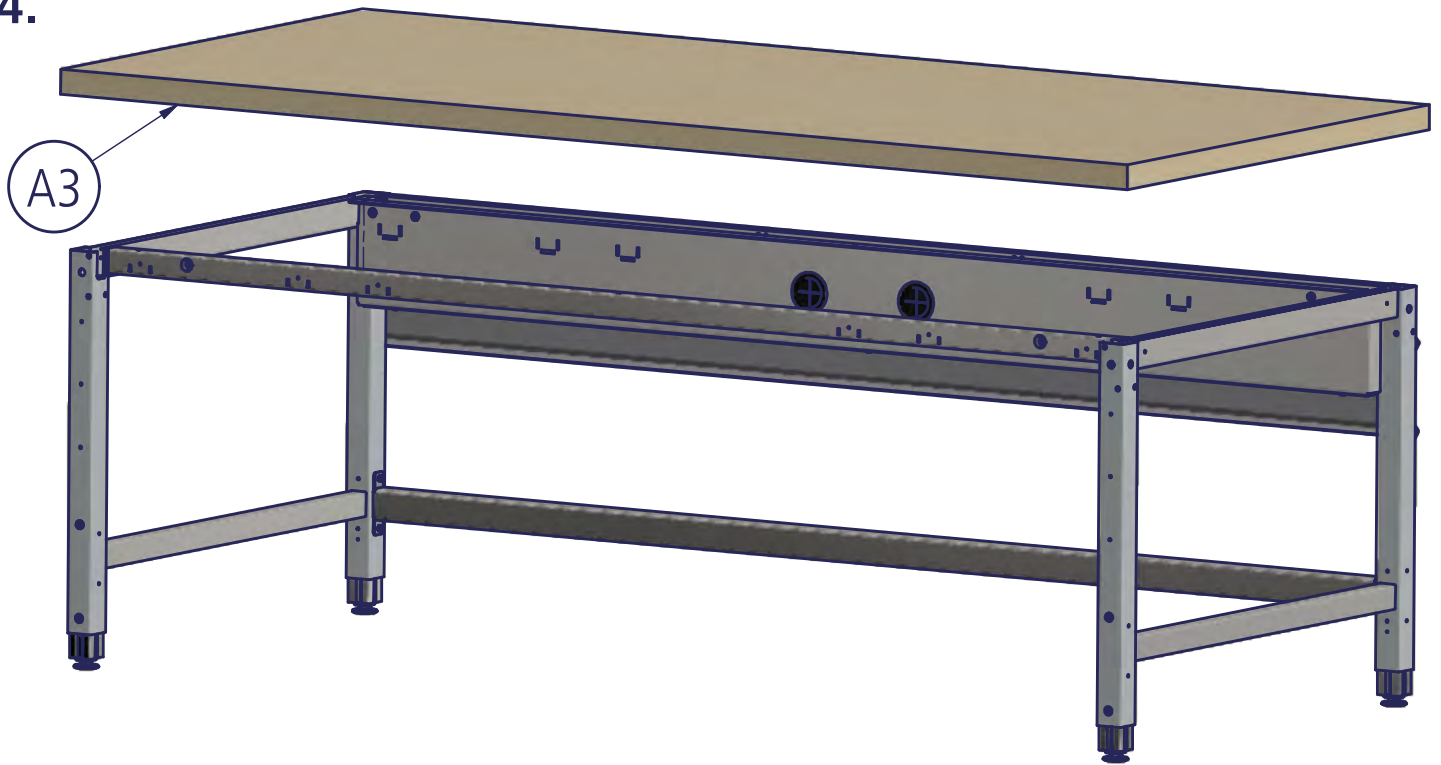
12.



13.



14.



15.

